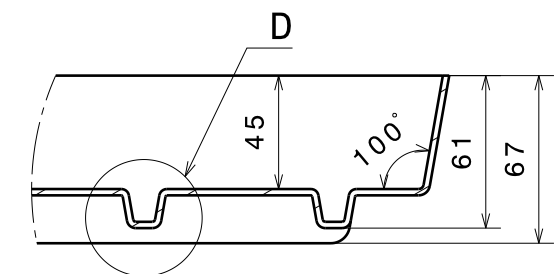
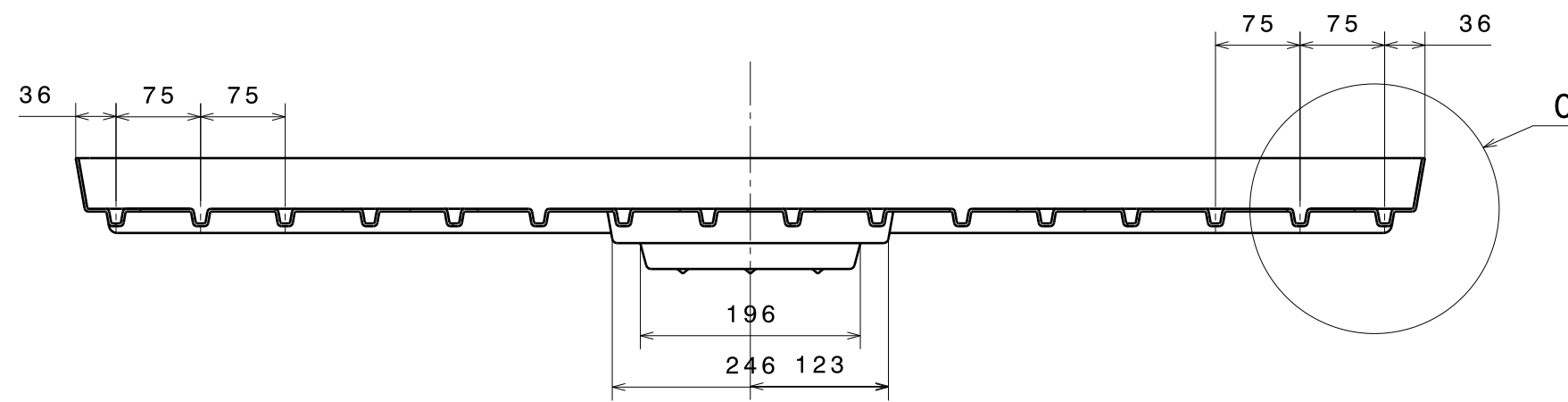


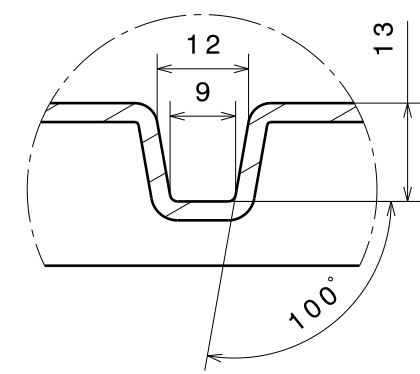
Detail B



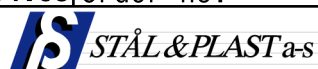
Detail C



Section view A-A



Detail D

Tolerances at 20°C: 0000 - 1000 mm: ± 1,50 mm 1000 - 2000 mm: ± 2,00 mm 2000 - 3000 mm: ± 3,00 mm 3000 - 4000 mm: ± 4,00 mm 4000 - 5000 mm: ± 5,00 mm 5000 and above: ± 6,00 mm <small>Coefficient of Thermal expansion: 0,10 mm/(m·K)</small>	Costumer:	Ref:	Date: 18.04.05	Order no:
	Approved by costumer:		Material: HIPS	Color: Grey
	Date: - -200	UV-filter on toplayer: No		 Industrivej 16-18, DK-5750 Ringe Tel: +45 62621216 Fax +45 62623611 Web: www.staal-plast.dk E-mail: mail@staal-plast.dk
	Sign:	Type: 2 (1200.16)		
		Size: 1200 x 2500		A3