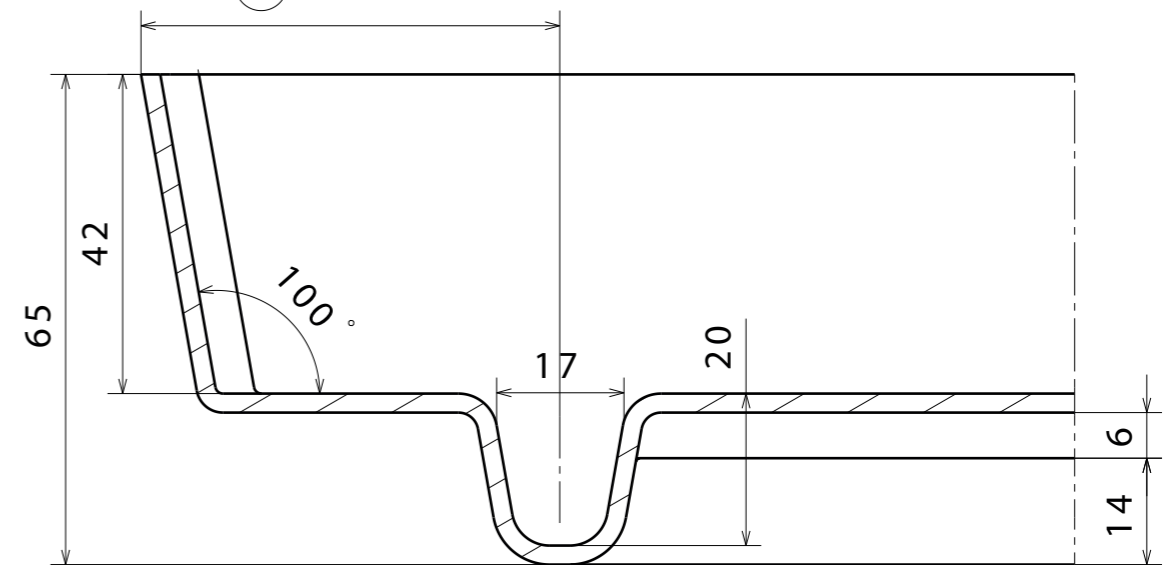
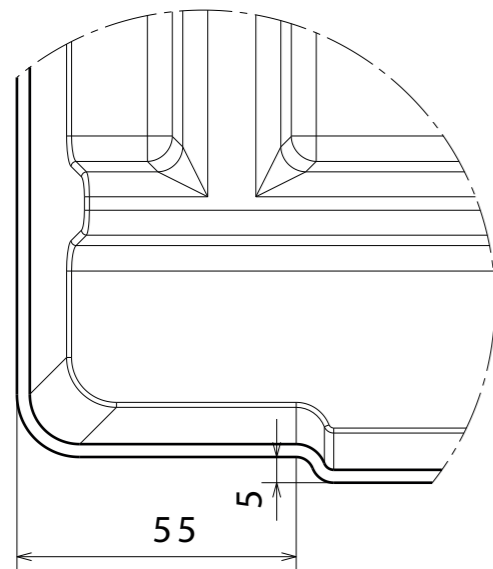


	W
A	1260
B	1280
C	1300
D	1320
E	1340

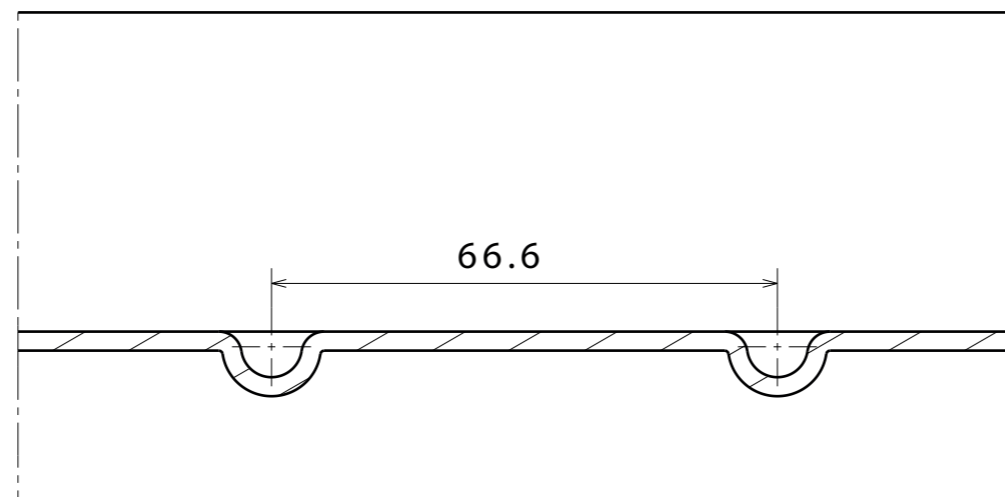
- A :35
- B :45
- C :55
- D :65
- E :75



Section view A-A



Detail B



Section view C-C

TYPE 1300/7  
End-tray with sump

Drawn by: JS  
Date: 27.11.2013

**staal  
plast**



Industrivej 19  
5750 Ringe  
Telefon: 62 62 12 16  
mail@staal-plast.dk  
www.staal-plast.dk