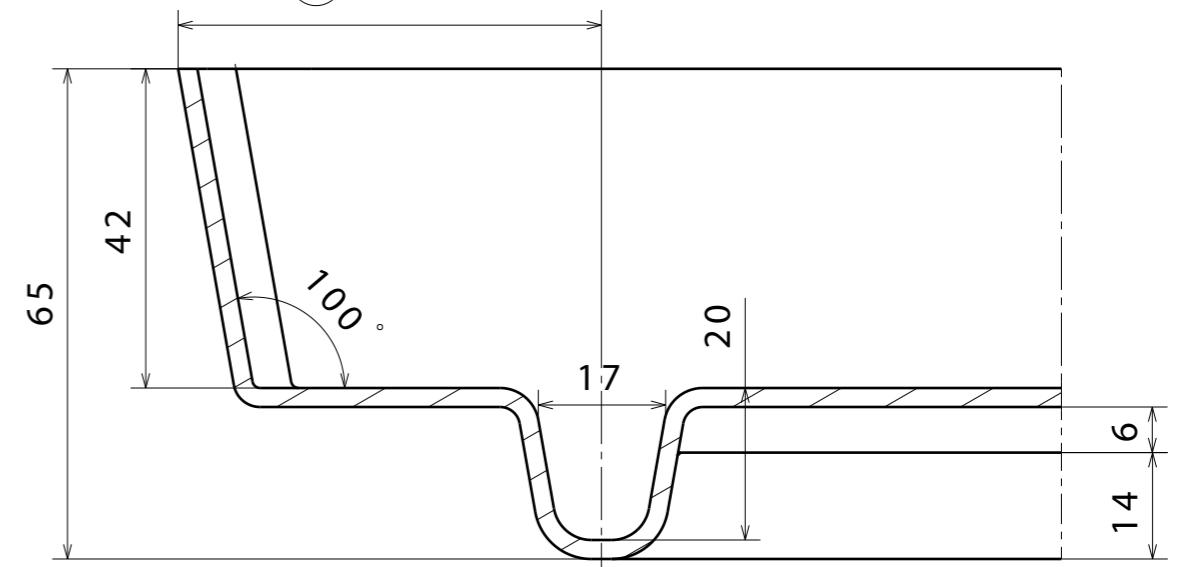
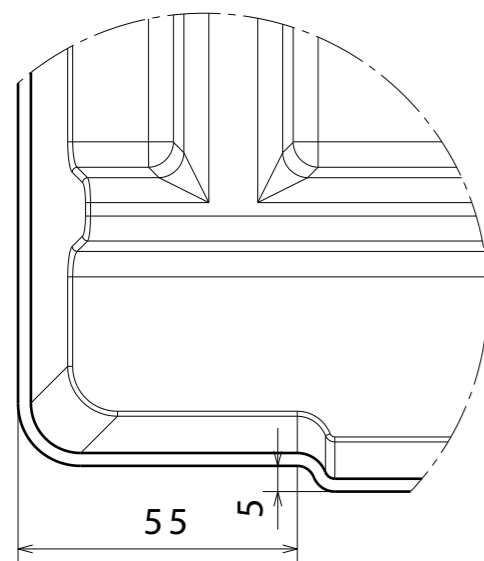


	W
(A)	1360
(B)	1380
(C)	1400
(D)	1420
(E)	1440

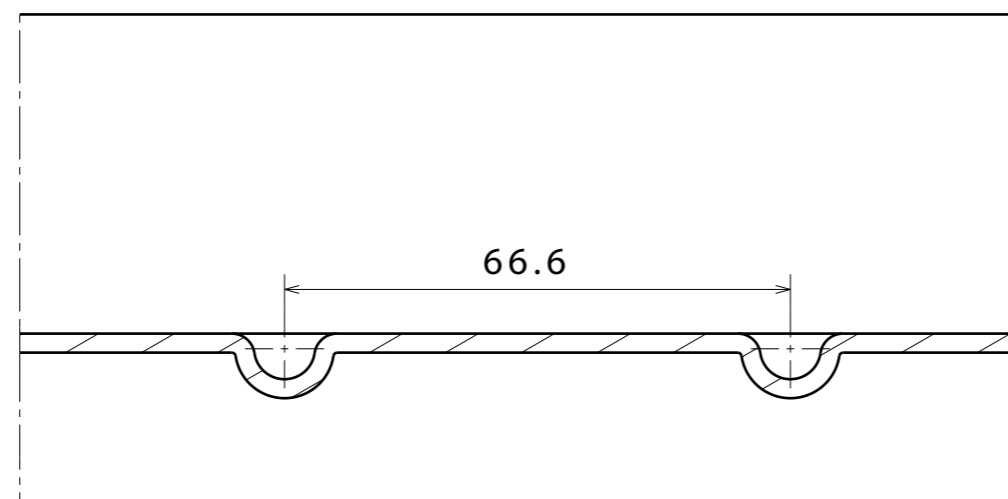
- (A) :36
- (B) :46
- (C) :56
- (D) :66
- (E) :76



Section view A-A



Detail B



Section view C-C

**TYPE 1400/8**  
End-tray with sump

Drawn by: JS  
Date: 27.11.2013



Industrivej 19  
5750 Ringe  
Telefon: 62 62 12 16  
mail@staal-plast.dk  
www.staal-plast.dk