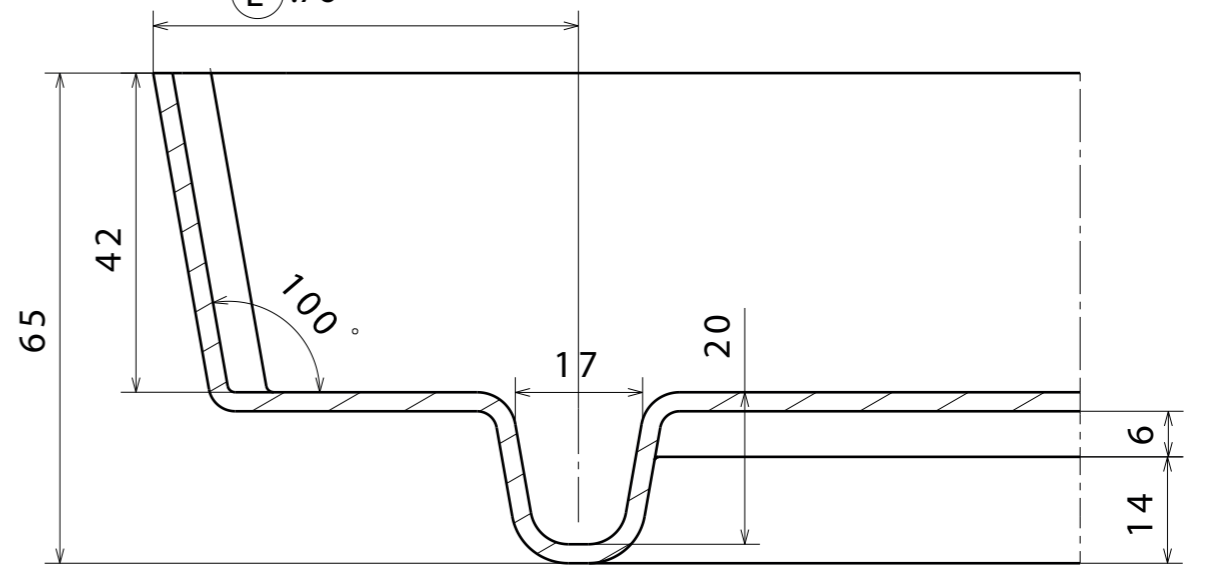
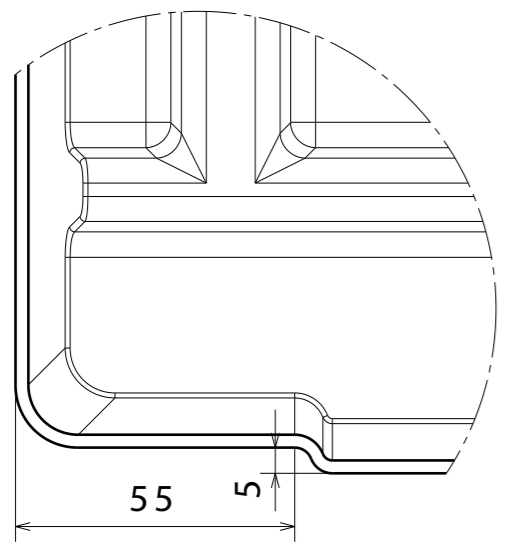


	W
(A)	1460
(B)	1480
(C)	1500
(D)	1520
(E)	1540

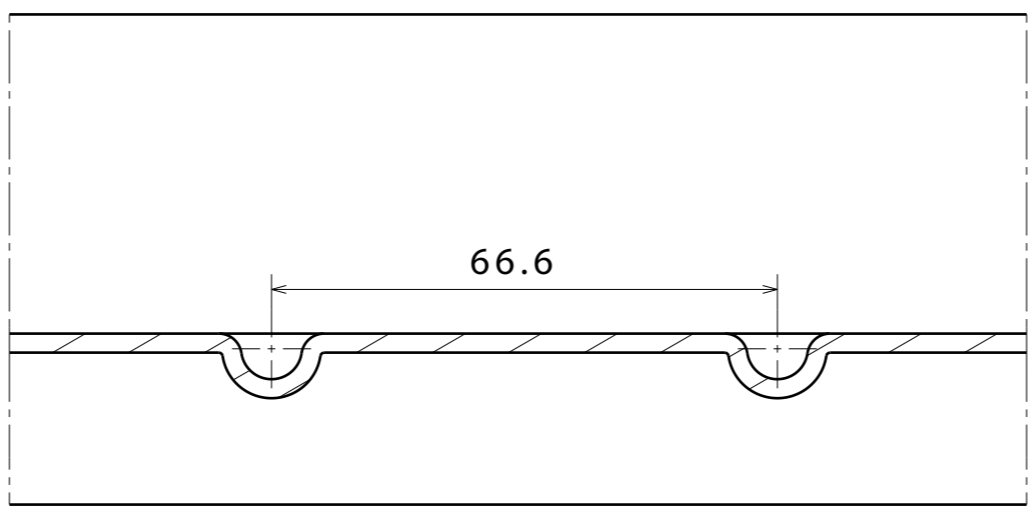
- (A) :36
- (B) :46
- (C) :56
- (D) :66
- (E) :76



Section view A-A




Detail B



Section view C-C

TYPE 1500/8 End-tray with sump	Drawn by: JS
	Date: 27.11.2013


 Industrivej 19
 5750 Ringe
 Telefon: 62 62 12 16
 mail@staal-plast.dk
 www.staal-plast.dk