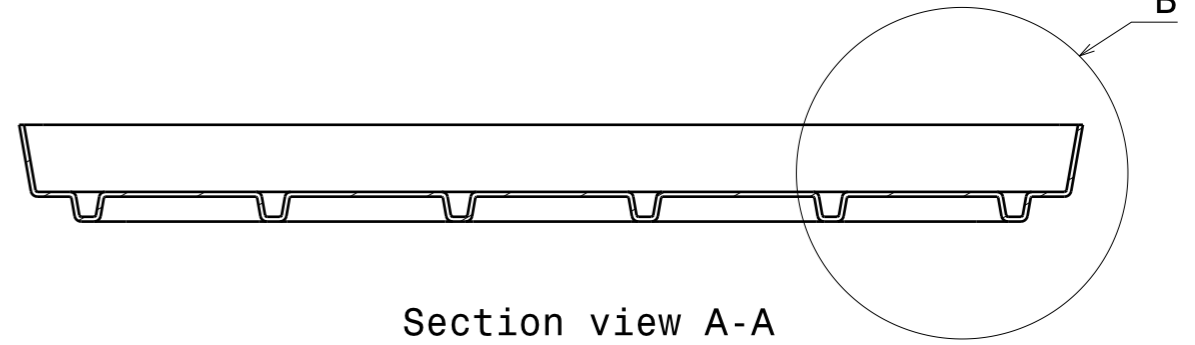
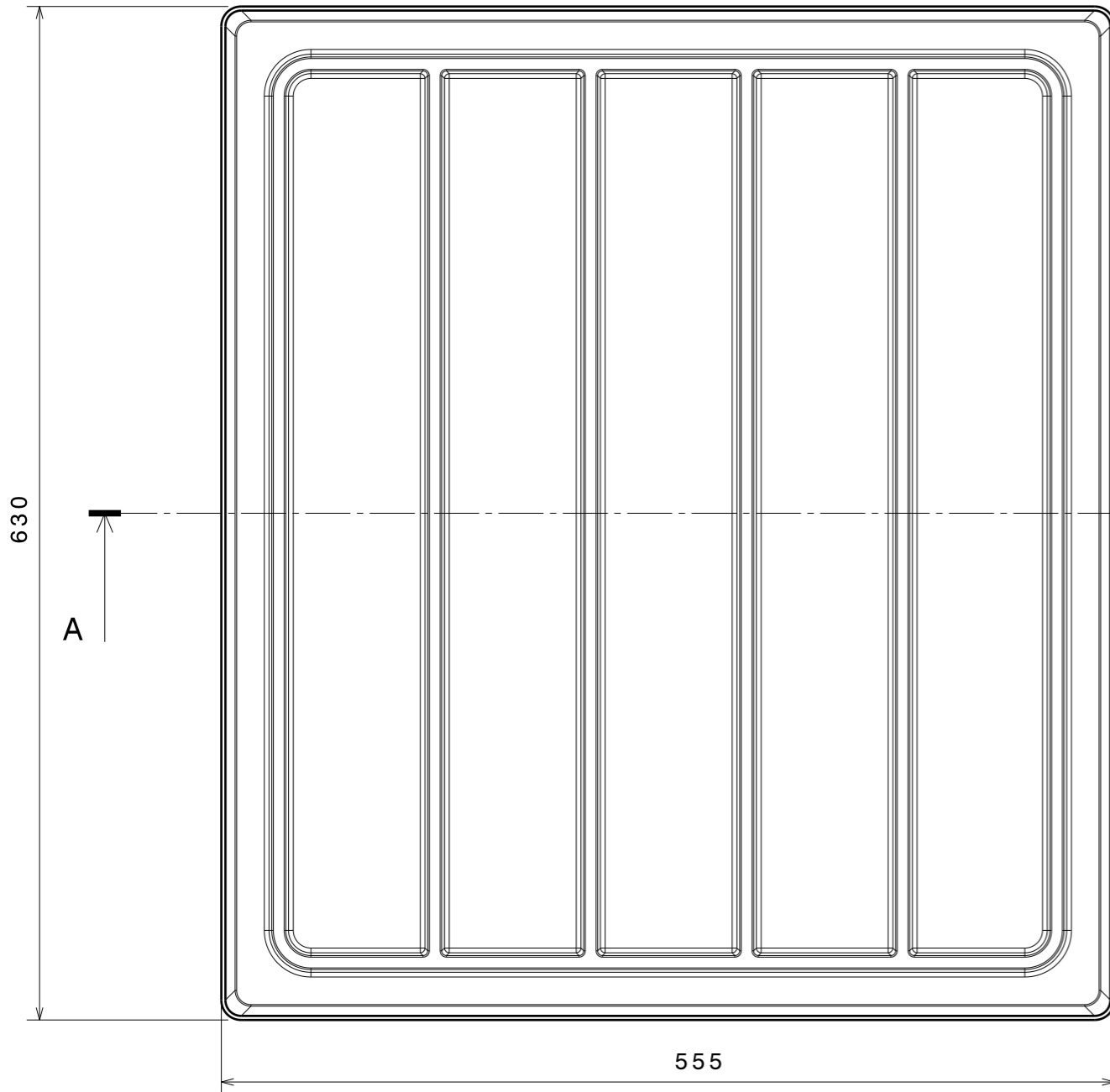


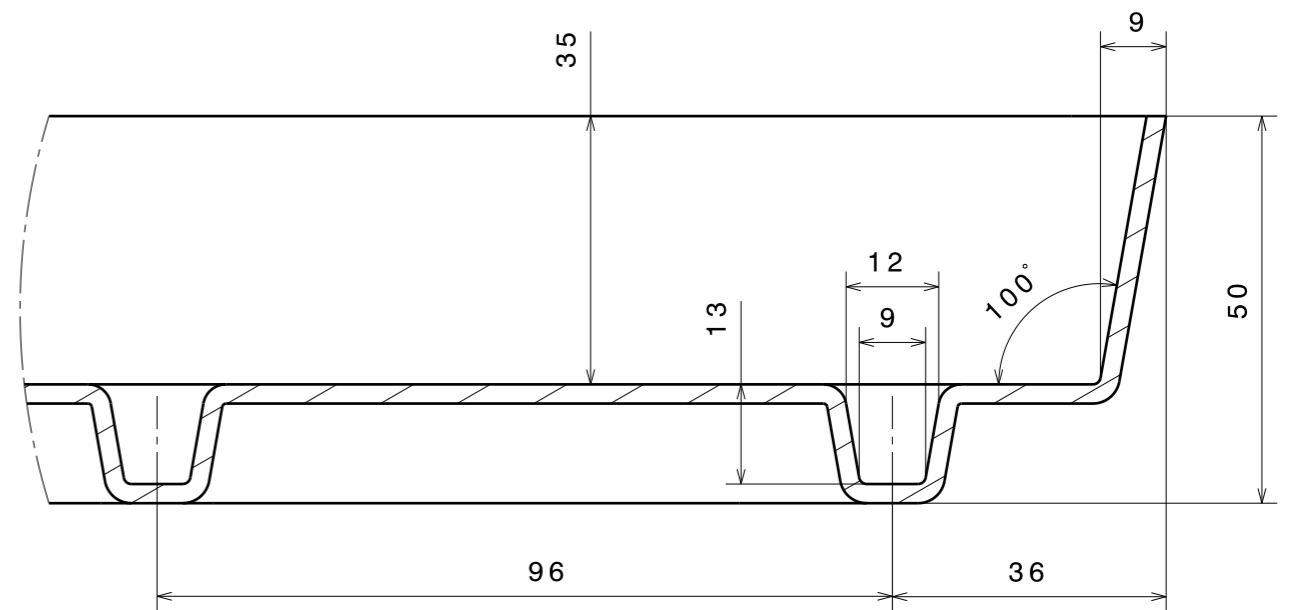
Front view




Section view A-A



Top view



Detail B

<b>Tolerances at 20°C:</b> 0000 - 1000 mm: ± 1,50 mm 1000 - 2000 mm: ± 2,00 mm 2000 - 3000 mm: ± 3,00 mm 3000 - 4000 mm: ± 4,00 mm 4000 - 5000 mm: ± 5,00 mm 5000 and above: ± 6,00 mm <small>Coefficient of Thermal expansion: 0,10 mm/(m·K)</small>	Customer:	Ref:	Date:01.09.05	Order no:
	<b>Approved by customer:</b>		Material:HIPS	Color: Grey
	Date: _____ - _____-200	UV-filter on toplayer: No		 Industrivej 19 5750 Ringe Telefon: 62 62 12 16 mail@staal-plast.dk www.staal-plast.dk
	Sign: _____	<b>Type: 1/2-CC</b>		
		<b>Size: 555 x 630</b>		Scale: _____