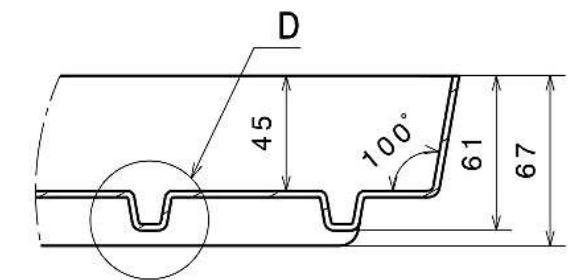
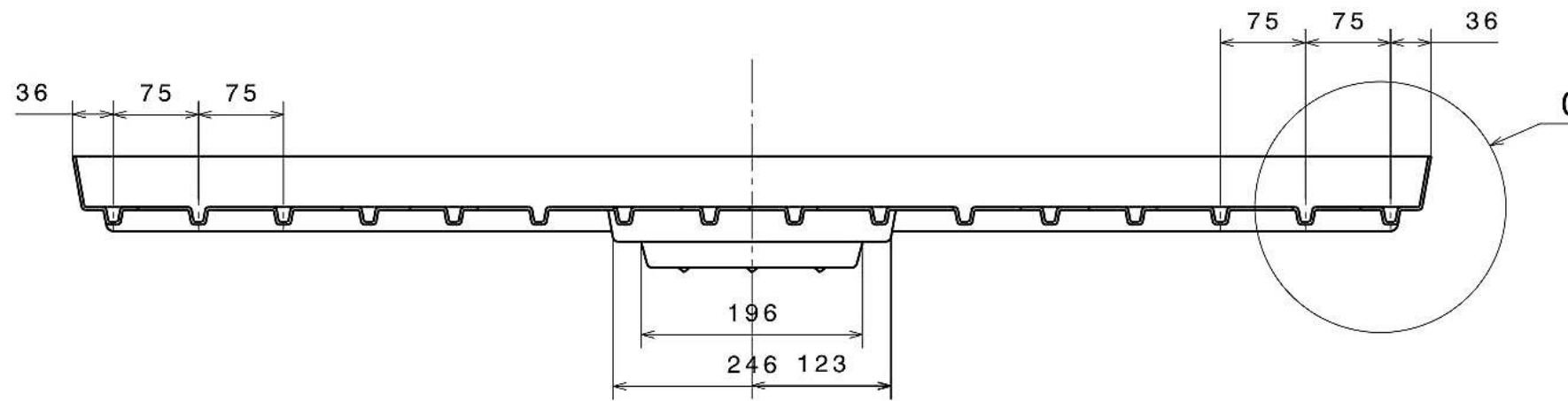


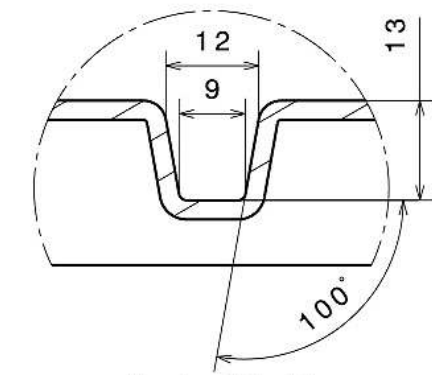
Detail B




Detail C



Section view A-A



Detail D

<b>Tolerances at 20°C:</b> 0000 - 1000 mm: ± 1,50 mm 1000 - 2000 mm: ± 2,00 mm 2000 - 3000 mm: ± 3,00 mm 3000 - 4000 mm: ± 4,00 mm 4000 - 5000 mm: ± 5,00 mm 5000 and above: ± 6,00 mm <small>Coefficient of Thermal expansion: 0,10 mm/(m·K)</small>	Customer:	Ref:	Date: 18.04.05	Order no:
	<b>Approved by customer:</b> Date: _____ - _____ -200		Material: <b>HIPS</b> Color: <b>Grey</b> UV-filter on toplayer: <b>No</b>	 Industrivej 19 5750 Ringe Telefon: 62 62 12 16 mail@staal-plast.dk www.staal-plast.dk
	Sign: _____		<b>Type: 2 (1200.16)</b> <b>Size: 1200 x 2500</b>	