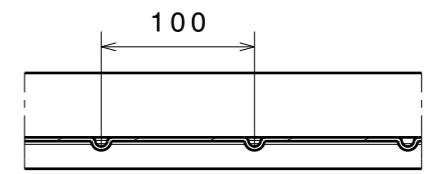
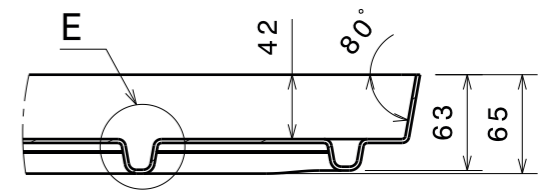


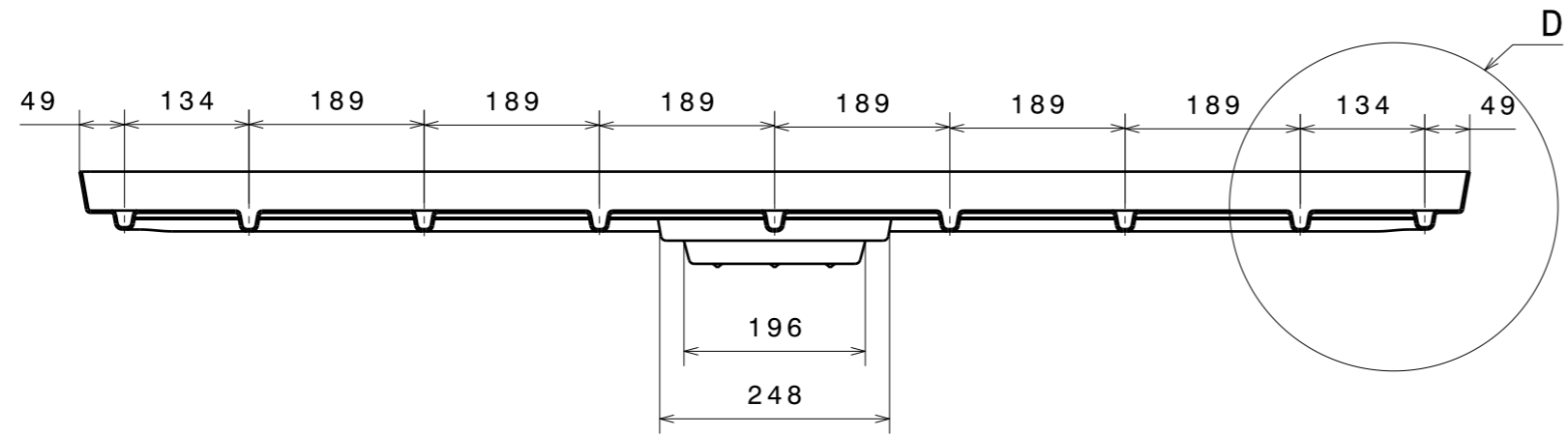
Detail A



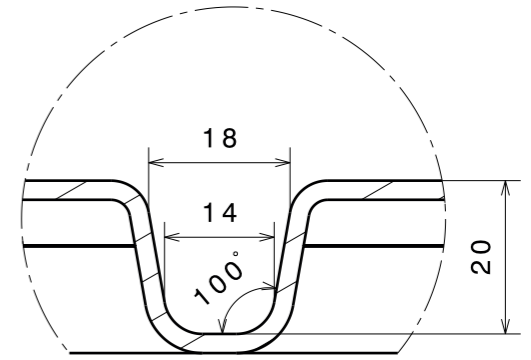
Section view C-C




Detail D



Section view B-B



Detail E

<b>Tolerances at 20°C:</b> 0000 - 1000 mm: ± 1,50 mm 1000 - 2000 mm: ± 2,00 mm 2000 - 3000 mm: ± 3,00 mm 3000 - 4000 mm: ± 4,00 mm 4000 - 5000 mm: ± 5,00 mm 5000 and above: ± 6,00 mm <small>Coefficient of Thermal expansion: 0,10 mm/(m·K)</small>	Customer:	Ref:	Date: 18.04.05	Order no:
	Approved by customer:		Material: HIPS	Color: GREY
	Date: - -200	UV-filter on toplayer: YES		 Industrivej 19 5750 Ringe Telefon: 62 62 12 16 mail@staal-plast.dk www.staal-plast.dk
	Sign:	Type: 1 (1500.09)		
Size: 1500 x 3000			A3	