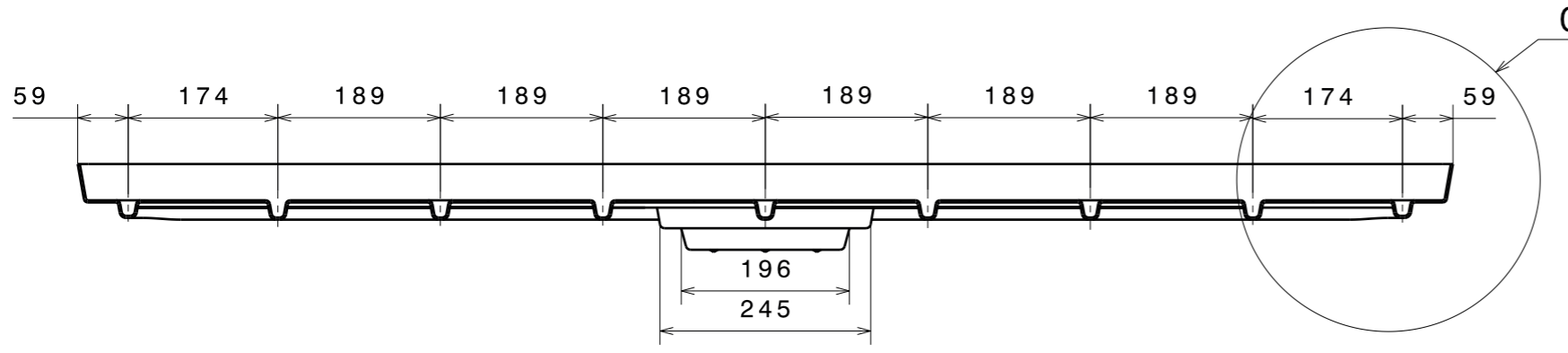
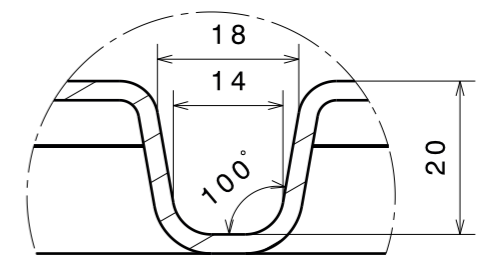


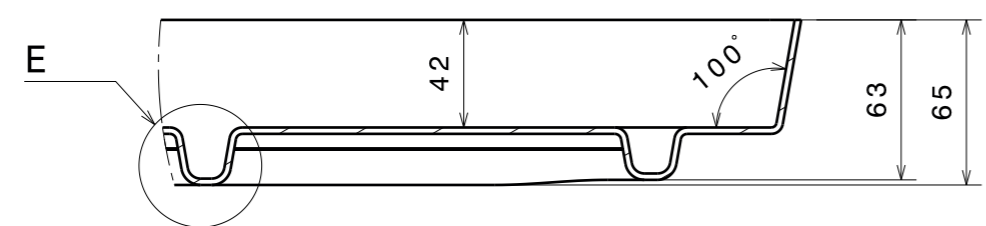
Detail B



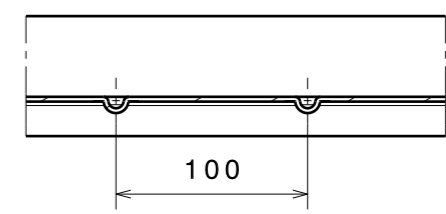
Section view A-A




Detail E



Detail C



Section view D-D

Tolerances at 20°C: 0000 - 1000 mm: ± 1,50 mm 1000 - 2000 mm: ± 2,00 mm 2000 - 3000 mm: ± 3,00 mm 3000 - 4000 mm: ± 4,00 mm 4000 - 5000 mm: ± 5,00 mm 5000 and above: ± 6,00 mm <small>Coefficient of Thermal expansion: 0,10 mm/(m·K)</small>	Costumer: _____	Ref: _____	Date: 18.04.05	Order no: _____
	Approved by costumer: Date: _____ - _____ - 200		Material: HIPS Color: Grey UV-filter on toplayer: No	 Industrivej 19 5750 Ringe Telefon: 62 62 12 16 mail@staal-plast.dk www.staal-plast.dk
	Sign: _____		Type: 1 (1600.09) Size: 1600 x 3500	