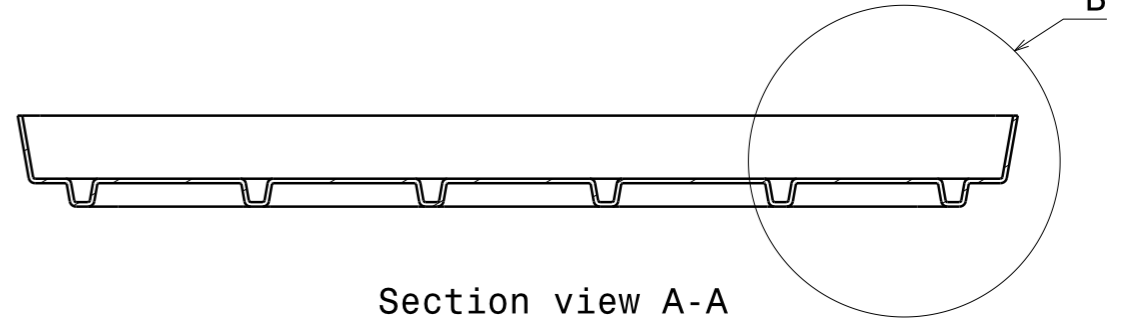
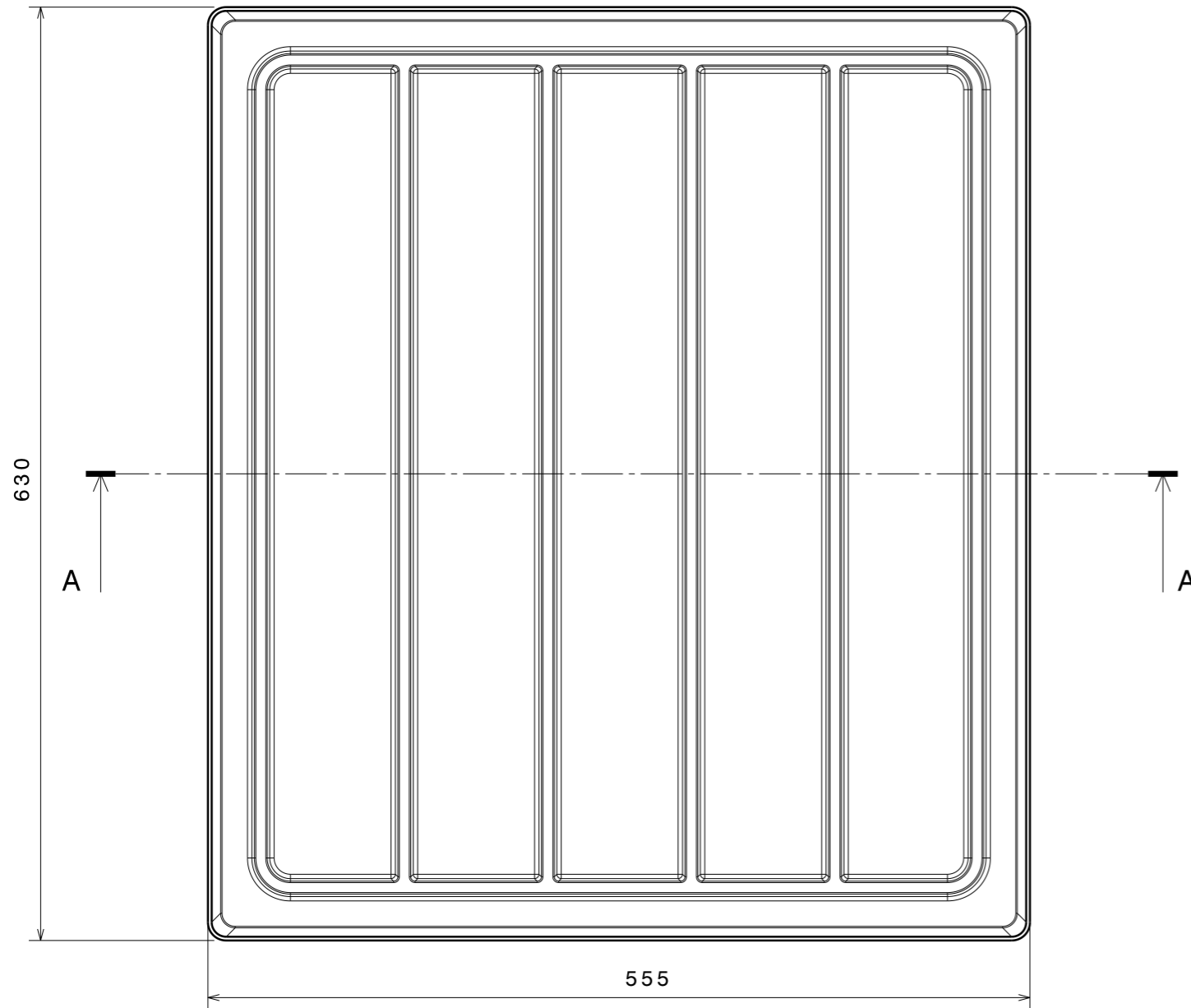


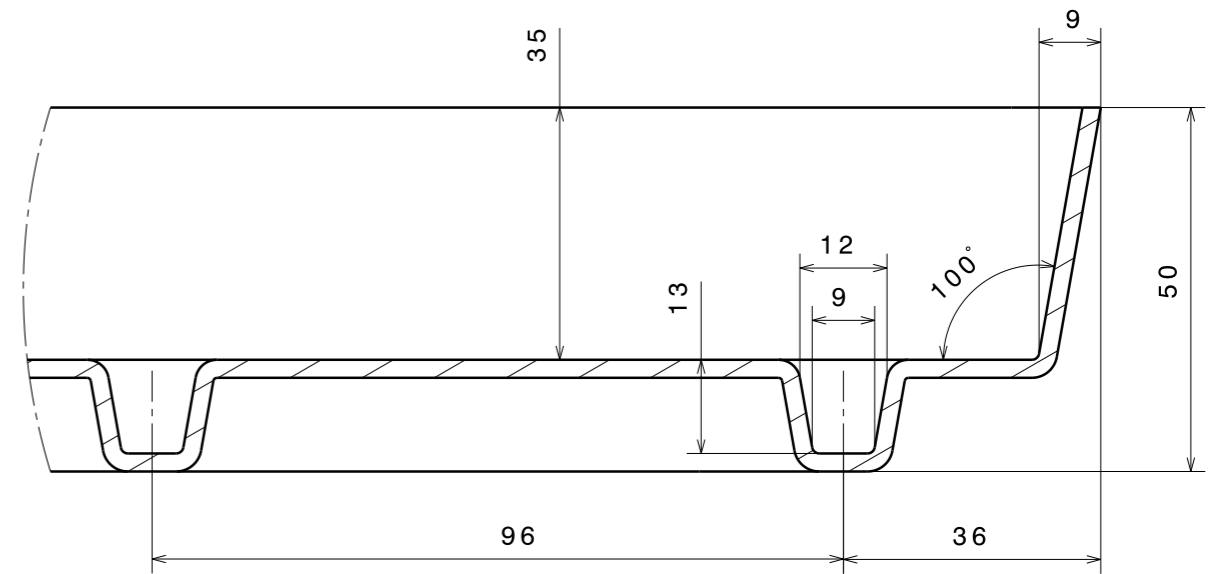
Front view



Section view A-A




Top view



Detail B

<b>Tolerances at 20°C:</b>
0000 - 1000 mm: ± 1,50 mm
1000 - 2000 mm: ± 2,00 mm
2000 - 3000 mm: ± 3,00 mm
3000 - 4000 mm: ± 4,00 mm
4000 - 5000 mm: ± 5,00 mm
5000 and above: ± 6,00 mm
<small>Coefficient of Thermal expansion: 0,10 mm/(m·K)</small>

Customer:	Ref:	Date: 01.09.05	Order no:
<b>Approved by customer:</b>	Material: HIPS	Color: Grey	 Industrivej 19 5750 Ringe Telefon: 62 62 12 16 mail@staal-plast.dk www.staal-plast.dk
Date: _____ - _____ -200	UV-filter on toplayer: No		
Sign: _____	<b>Type: 1/2-CC</b>		Scale: _____
	<b>Size: 555 x 630</b>		