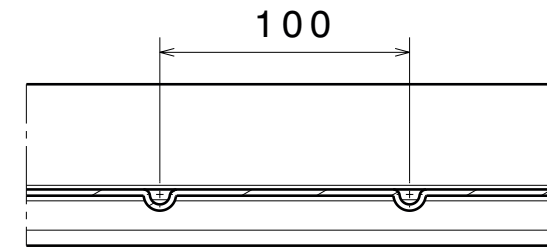
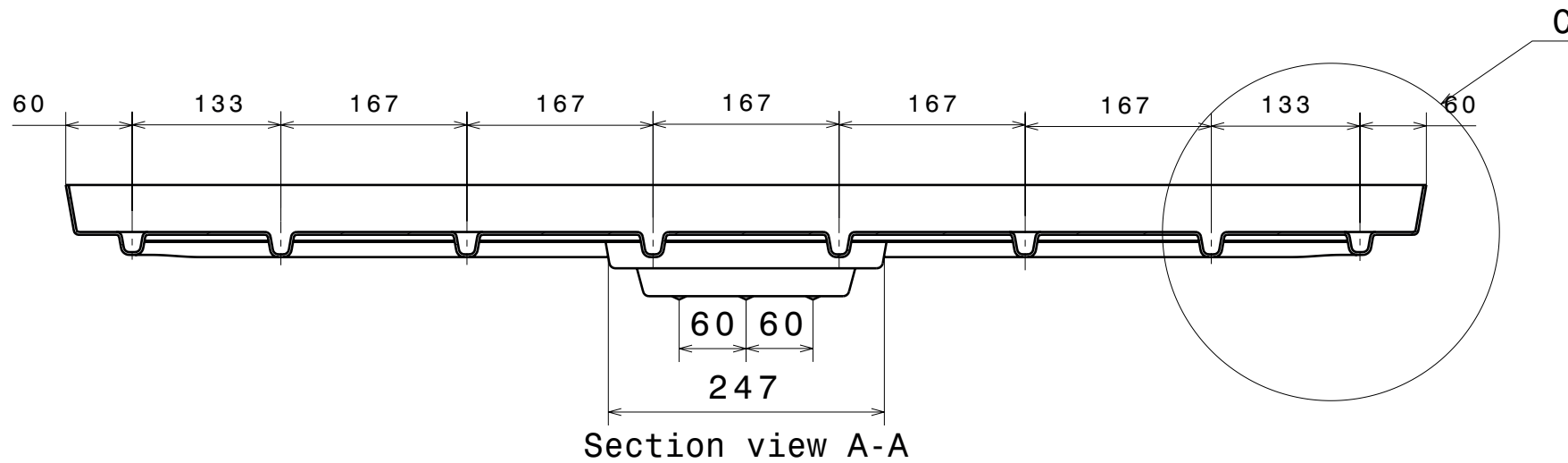


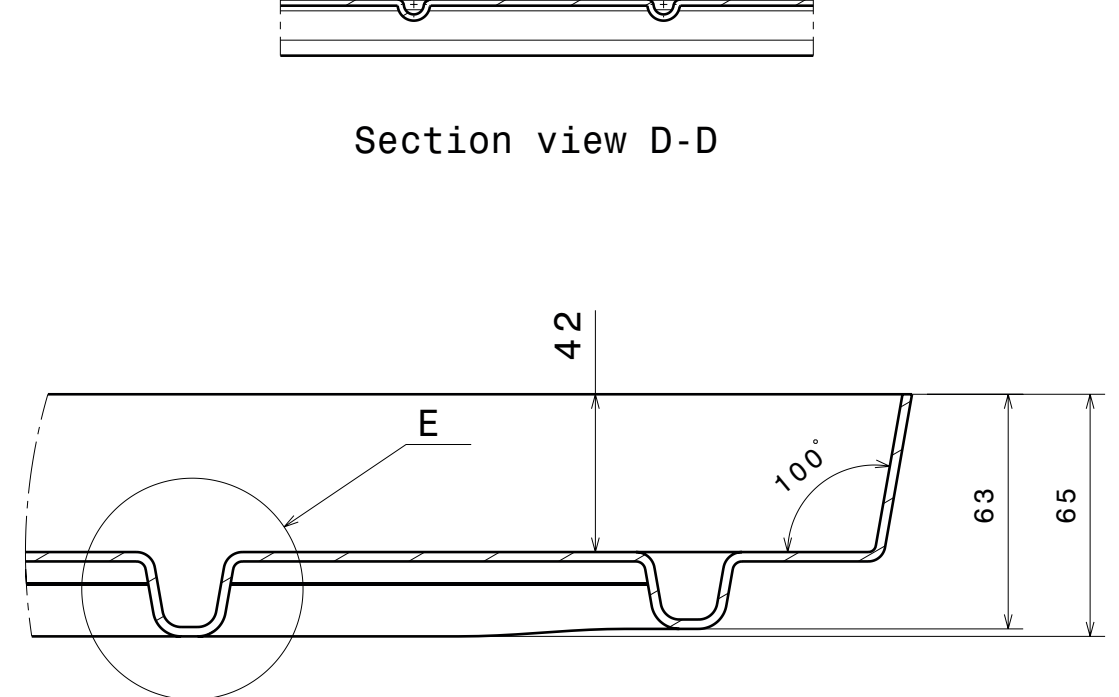
Detail B



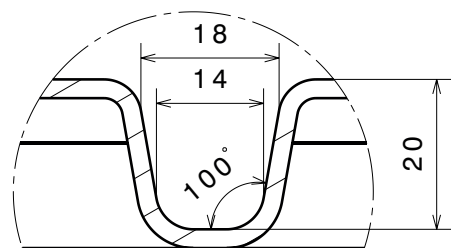
Section view D-D



Section view A-A



Detail C



Detail E

Tolerances at 20°C: 0000 - 1000 mm: ± 3,00 mm 1000 - 2000 mm: ± 3,50 mm 2000 - 3000 mm: ± 4,00 mm 3000 - 4000 mm: ± 5,00 mm 4000 - 5000 mm: ± 6,00 mm 5000 and above: ± 7,00 mm <small>Coefficient of Thermal expansion: 0,10 mm/(mK)</small>	Customer:	Ref:	Date: 19.04.16	Order no:
	Approved by customer: Date: - - -		Material: HIPS	Color: Grey
	Sign: _____		UV-filter on toplayer: No	
			Type: 1 (1200.08) Size: 4' x 8'	

staalplast
 Industrivej 19
 5750 Ringe
 Telefon: 62 62 12 16
 mail@staal-plast.dk
 www.staal-plast.dk