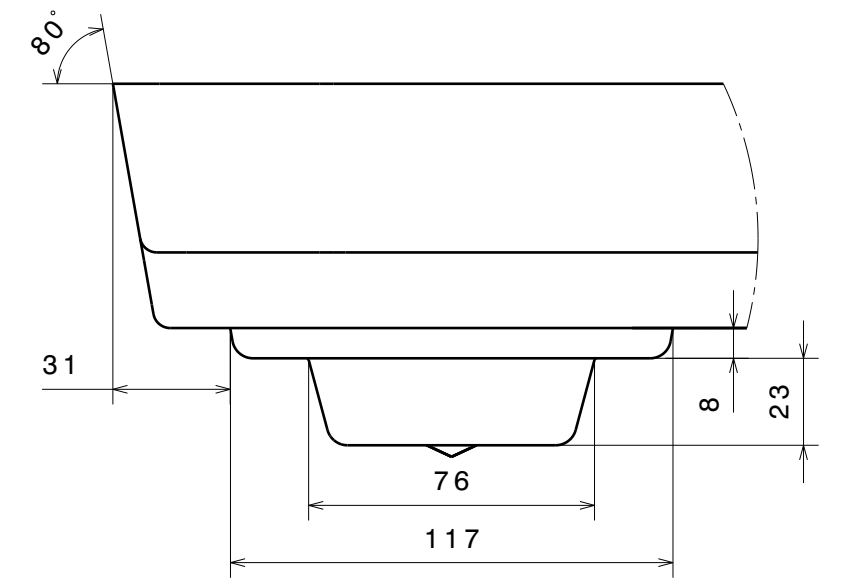
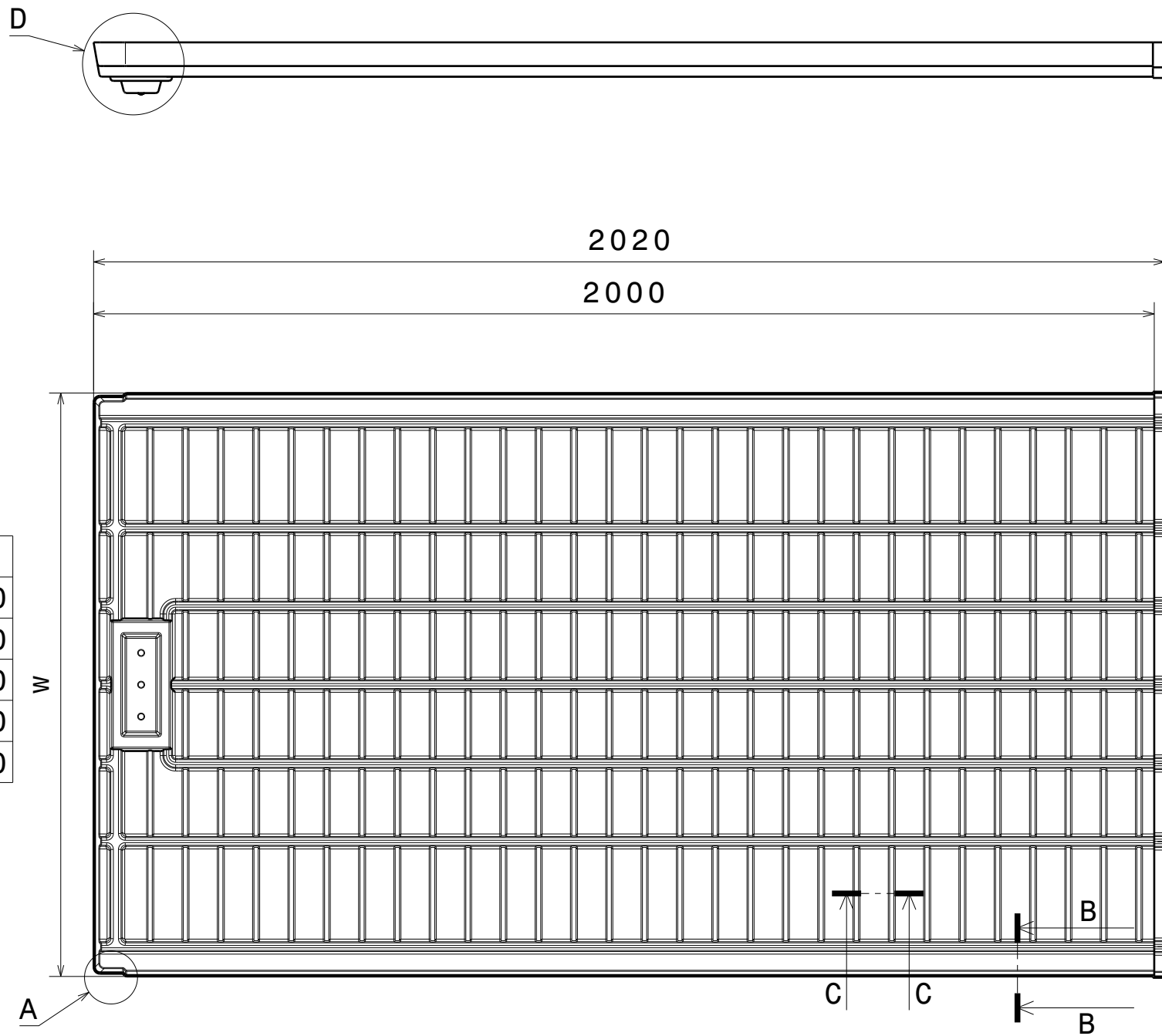
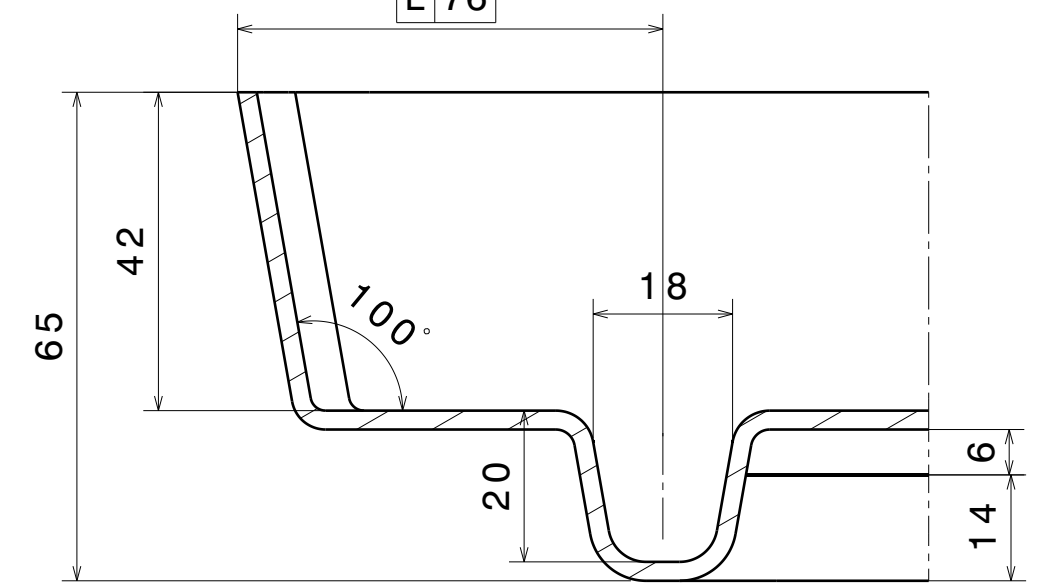


	W
A	1060
B	1080
C	1100
D	1120
E	1140

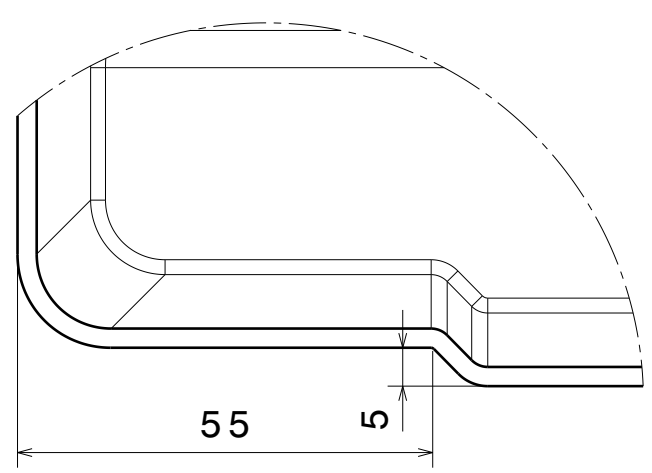


Detail D

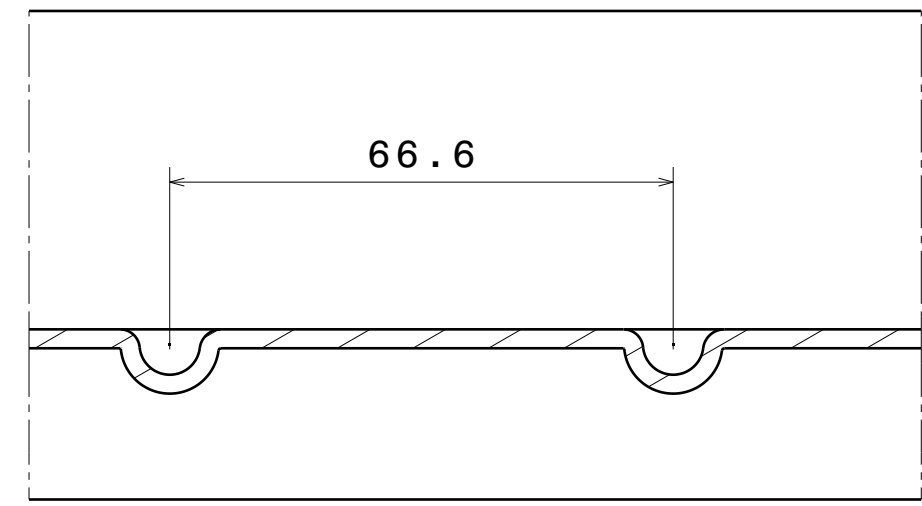
A	36
B	46
C	56
D	66
E	76




Section view B-B



Detail A



Section view C-C

Type 1100/07 N		Drawn by: PJB
End-tray with sump		Date: 04.04.19
Tolerances at 20°C:		
0000 - 1000 mm: ± 3,00 mm		
1000 - 2000 mm: ± 4,00 mm		
staalplast		
Industrivej 19		
DK-5750 Ringe - Denmark		
Tel: +45 62621216		
Web: www.staal-plast.dk		
E-mail: mail@staal-plast.dk		