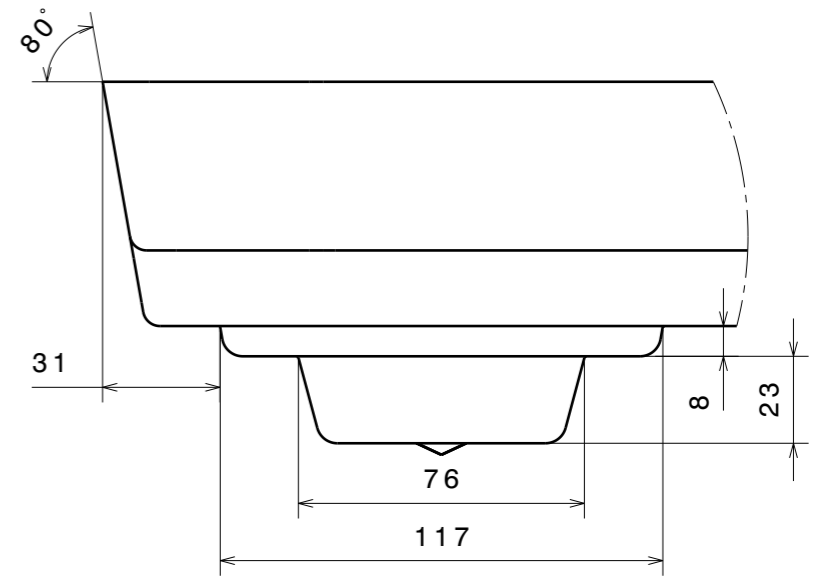
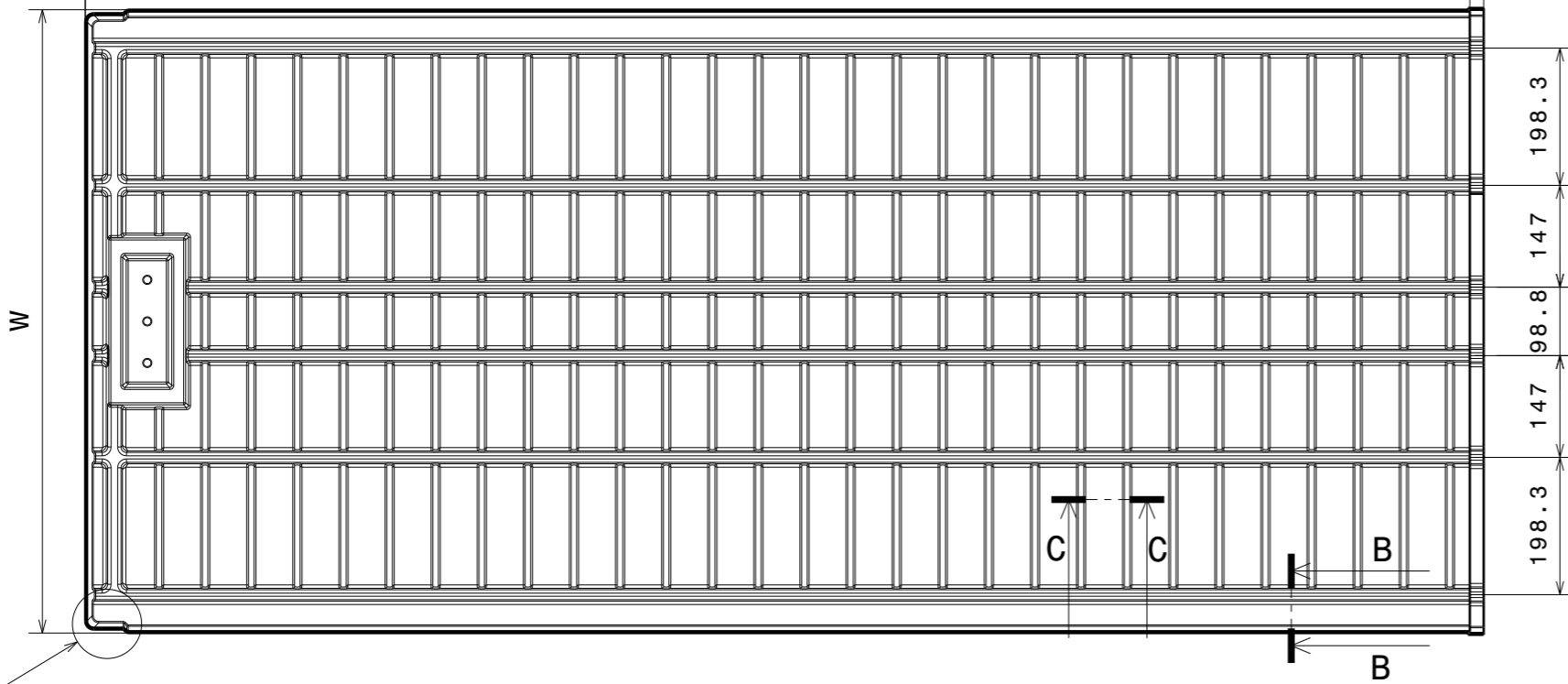
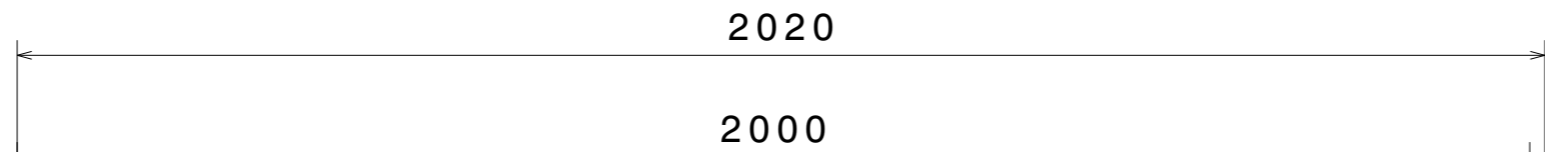
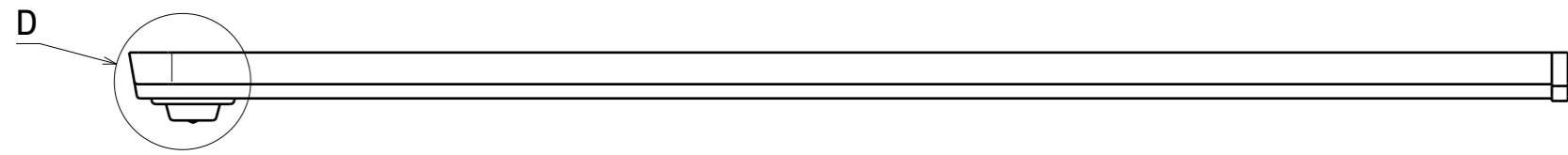
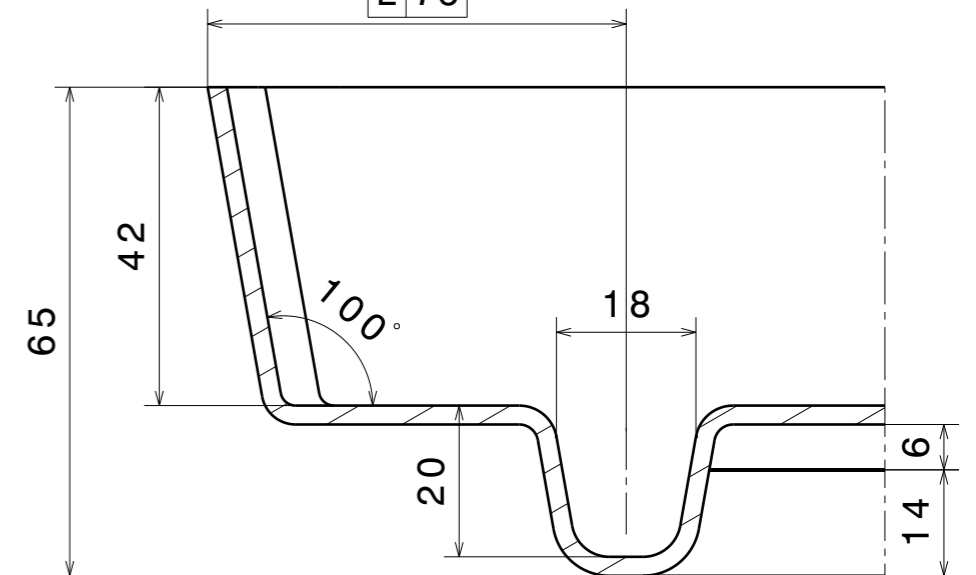


	W
A	860
B	880
C	900
D	920
E	940

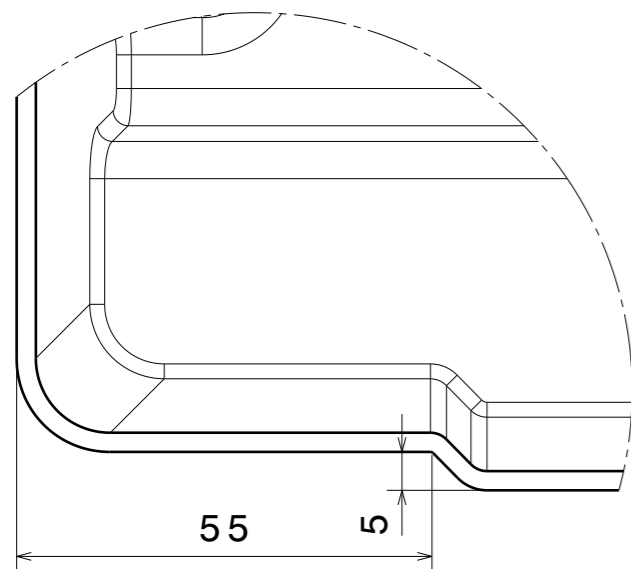


Detail D

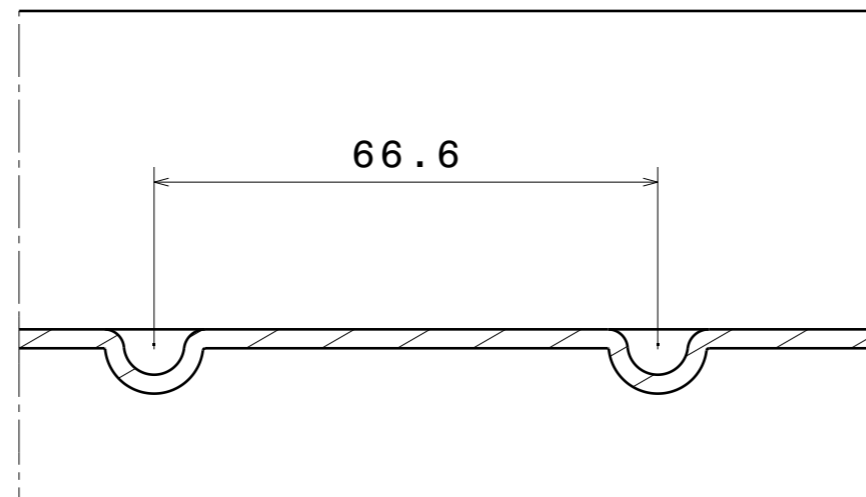
A	36
B	46
C	56
D	66
E	76



Section view B-B



Detail A



Section view C-C

Type 900/06 N
End-tray with sump

Drawn by: **PJB**

Date: **22.03.19**

Tolerances at 20°C:
 0000 - 1000 mm: ± 3,00 mm
 1000 - 2000 mm: ± 4,00 mm



Industrivej 19
 DK-5750 Ringe - Denmark
 Tel: +45 62621216
 Web: www.staal-plast.dk
 E-mail: mail@staal-plast.dk