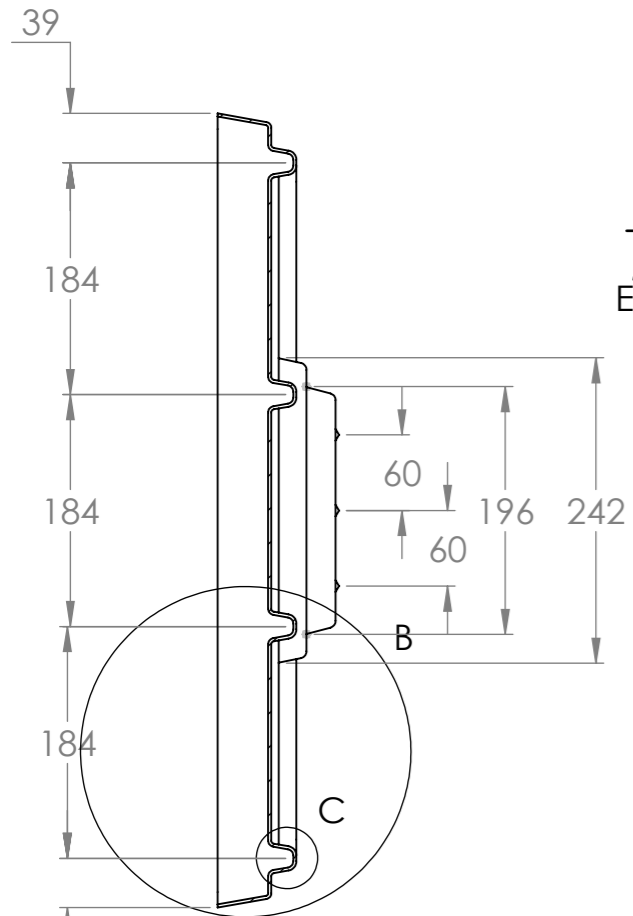
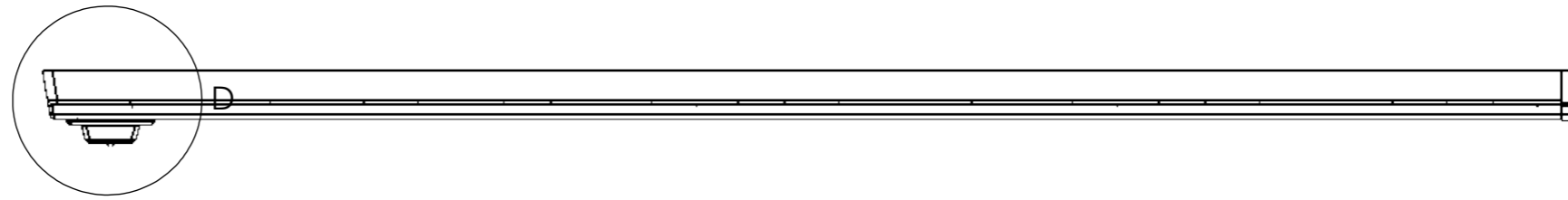
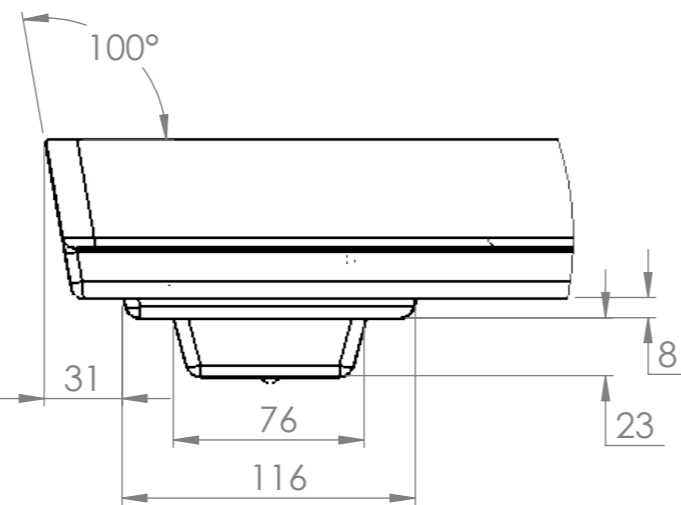
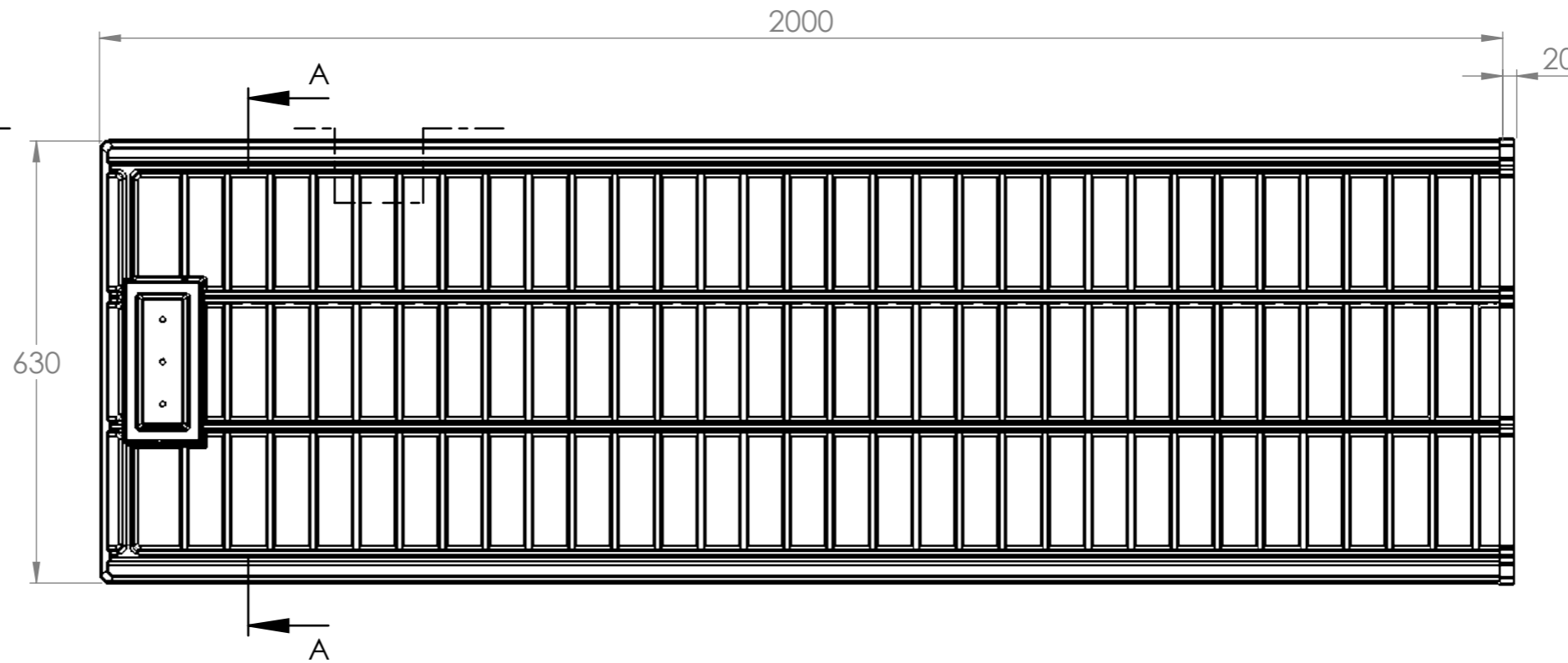


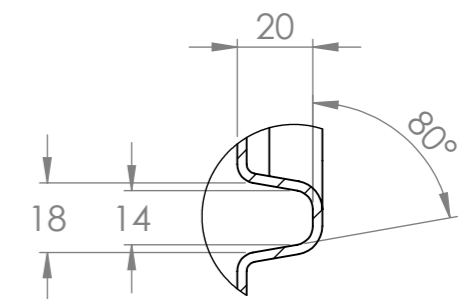
SECTION E-E



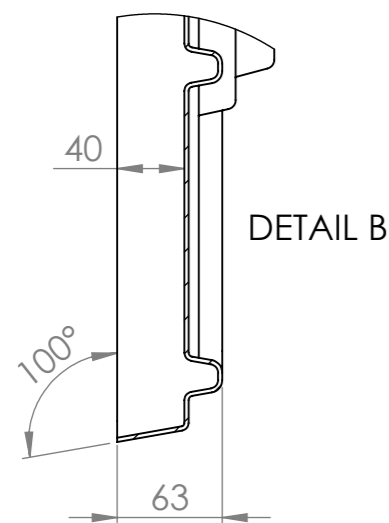
SECTION A-A



DETAIL D



DETAIL C



DETAIL B

Tolerances at 20°C:
0000 - 1000 mm: ± 3,00 mm
1000 - 2000 mm: ± 3,50 mm
2000 - 3000 mm: ± 4,00 mm
3000 - 4000 mm: ± 5,00 mm
4000 - 5000 mm: ± 6,00 mm
5000 and above: ± 7,00 mm
Coefficient of thermal expansion: 0,10 mm/(m•K)

Customer:	Ref:
Approved by customer:	Date: _____ - _____ -20_____
Sign:	

Date: 06-10-2021	Order no:
Material: HIPS	Color: Grey
UV-filter on toplayer: No	
Type: 1 - 630.4	
Size: 630 x 2000	

staalplast
Industrivej 19, DK-5750 Ringe
Tel: +45 62621216
Web: www.staal-plast.dk
E-mail: mail@staal-plast.dk
SCALE: