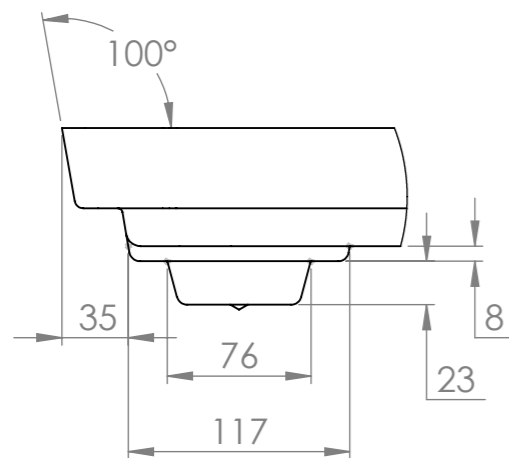
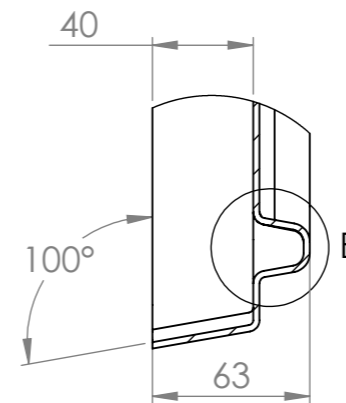


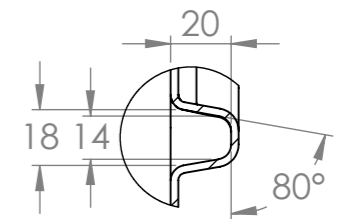
SECTION A-A



DETAIL C



DETAIL D



DETAIL E

**Tolerances at 20°C:**

- 0000 - 1000 mm: ± 3,00 mm
- 1000 - 2000 mm: ± 3,50 mm
- 2000 - 3000 mm: ± 4,00 mm
- 3000 - 4000 mm: ± 5,00 mm
- 4000 - 5000 mm: ± 6,00 mm
- 5000 and above: ± 7,00 mm

Coefficient of thermal expansion: 0,10 mm/(m•K)

**Customer:**

**Approved by customer:**

Date: \_\_\_\_\_ - \_\_\_\_\_ -20\_\_\_\_

Sign: \_\_\_\_\_

**Ref:**

**Date:** 25-03-2021

**Order no:**

Material: HIPS Color: Grey

UV-filter on toplayer: No

**Type: 1 - 1000.6**

**Size: 1000 X 1100**

**staalplast**

Industrivej 19, DK-5750 Ringe  
Tel: +45 62621216  
Web: www.staal-plast.dk  
E-mail: mail@staal-plast.dk

SCALE:

A3