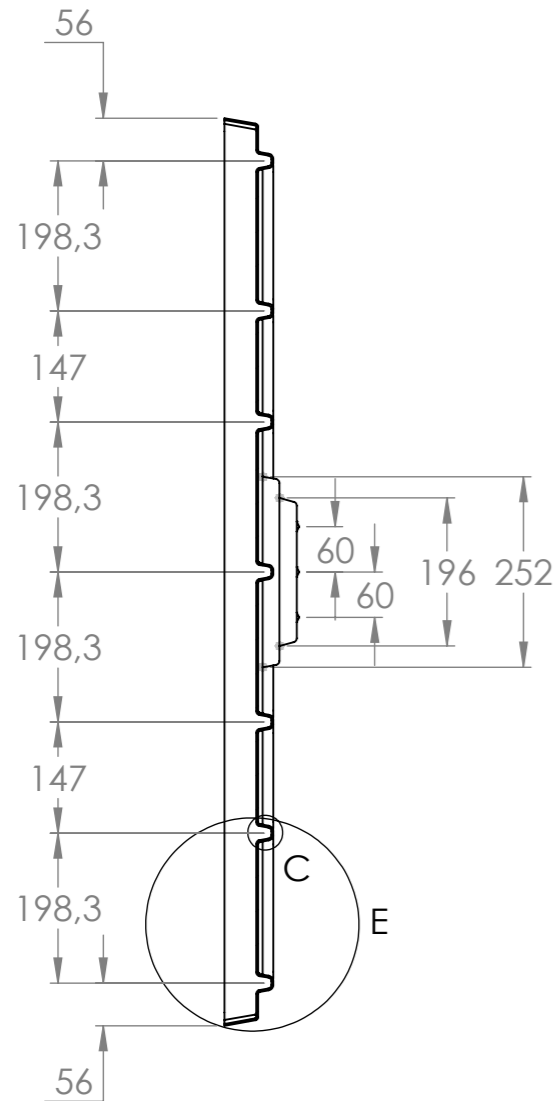
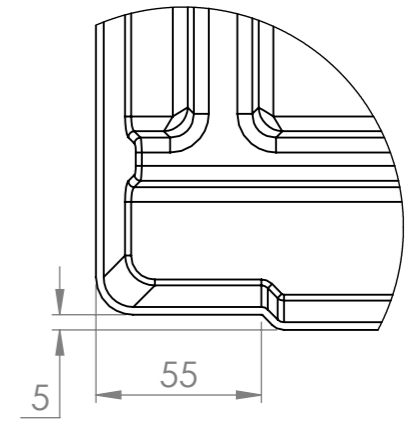
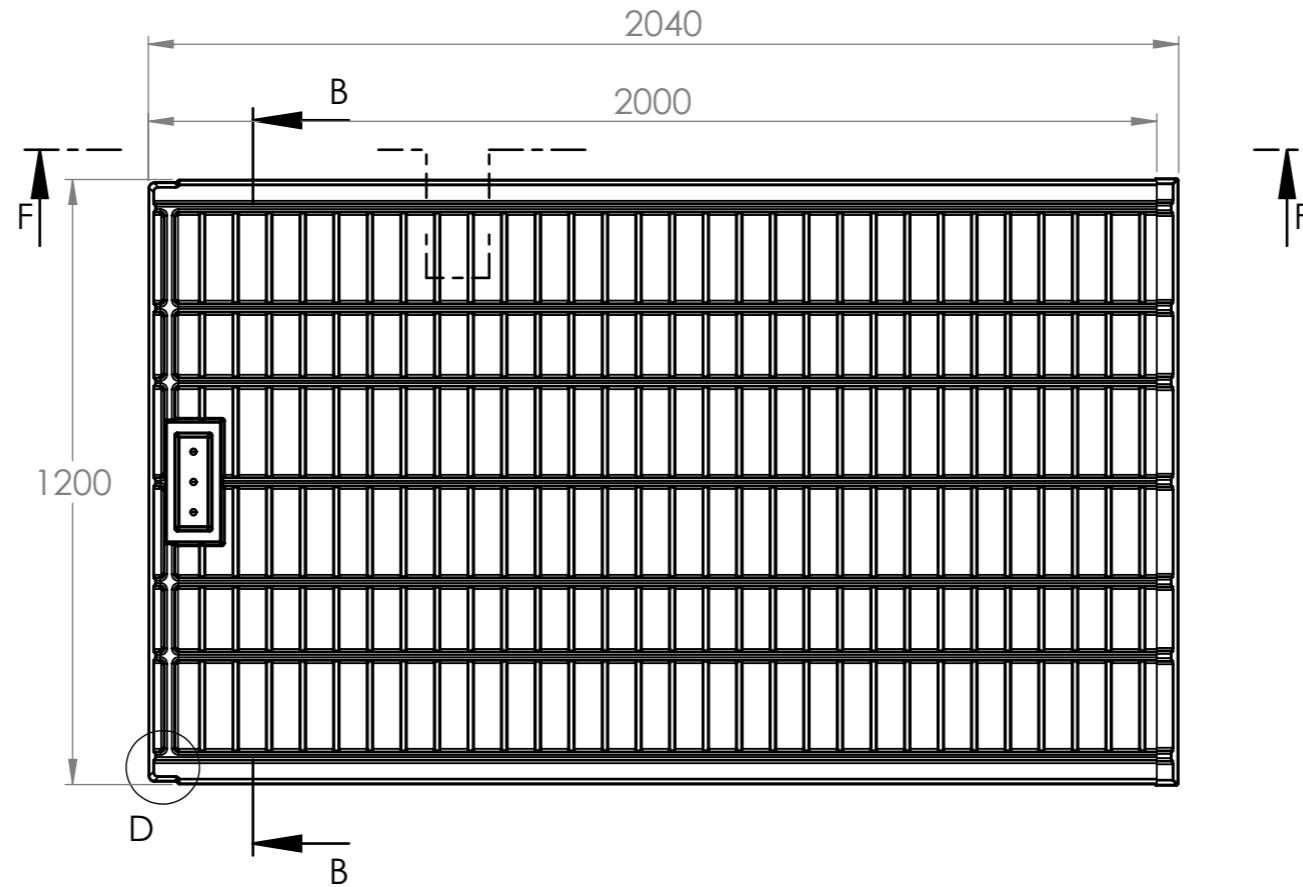


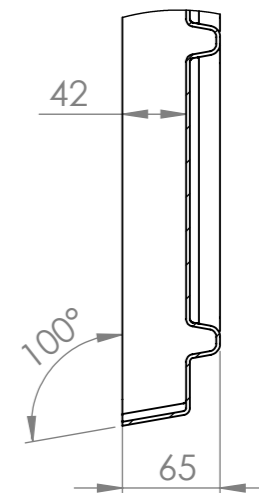
SECTION F-F
SCALE 1 : 4



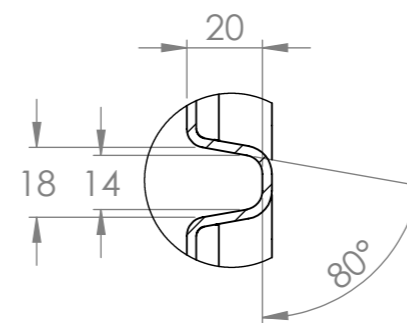
SECTION B-B



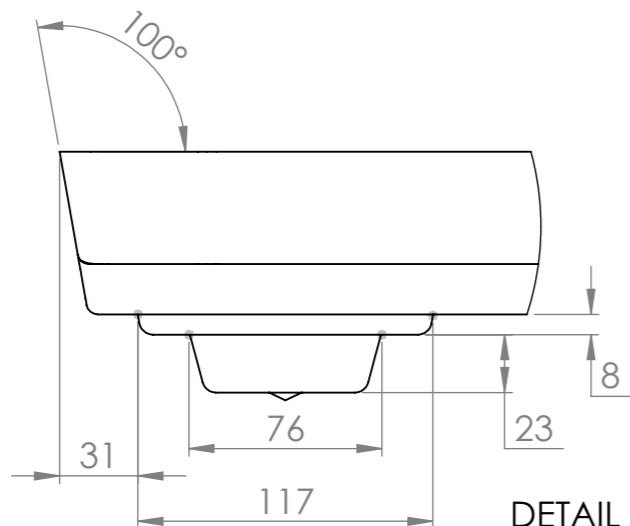
DETAIL D



DETAIL E



DETAIL C



DETAIL A

Tolerances at 20°C:

0000 - 1000 mm:	± 3,00 mm
1000 - 2000 mm:	± 3,50 mm
2000 - 3000 mm:	± 4,00 mm
3000 - 4000 mm:	± 5,00 mm
4000 - 5000 mm:	± 6,00 mm
5000 and above:	± 7,00 mm

Coefficient of thermal expansion: 0,10 mm/(m•K)

Customer: _____
Approved by customer: _____
Date: _____ - _____ -20____
Sign: _____

Ref: _____ **Date:** 18-02-2022 **Order no:** _____

Material: HIPS	Color: Grey
UV-filter on toplayer: No	
Type: 1 - 1200.8	
Size: 1200 X 2040	



SCALE:

A3