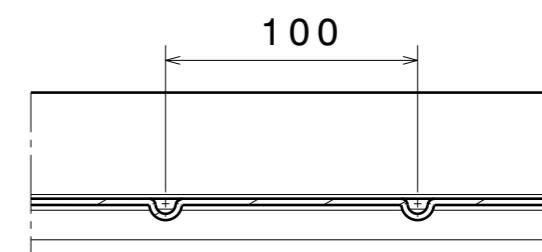
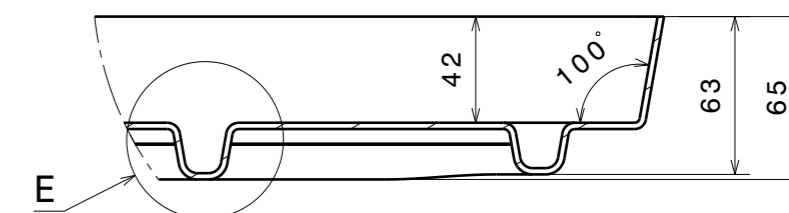


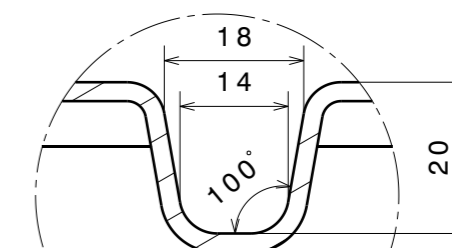
Detail B



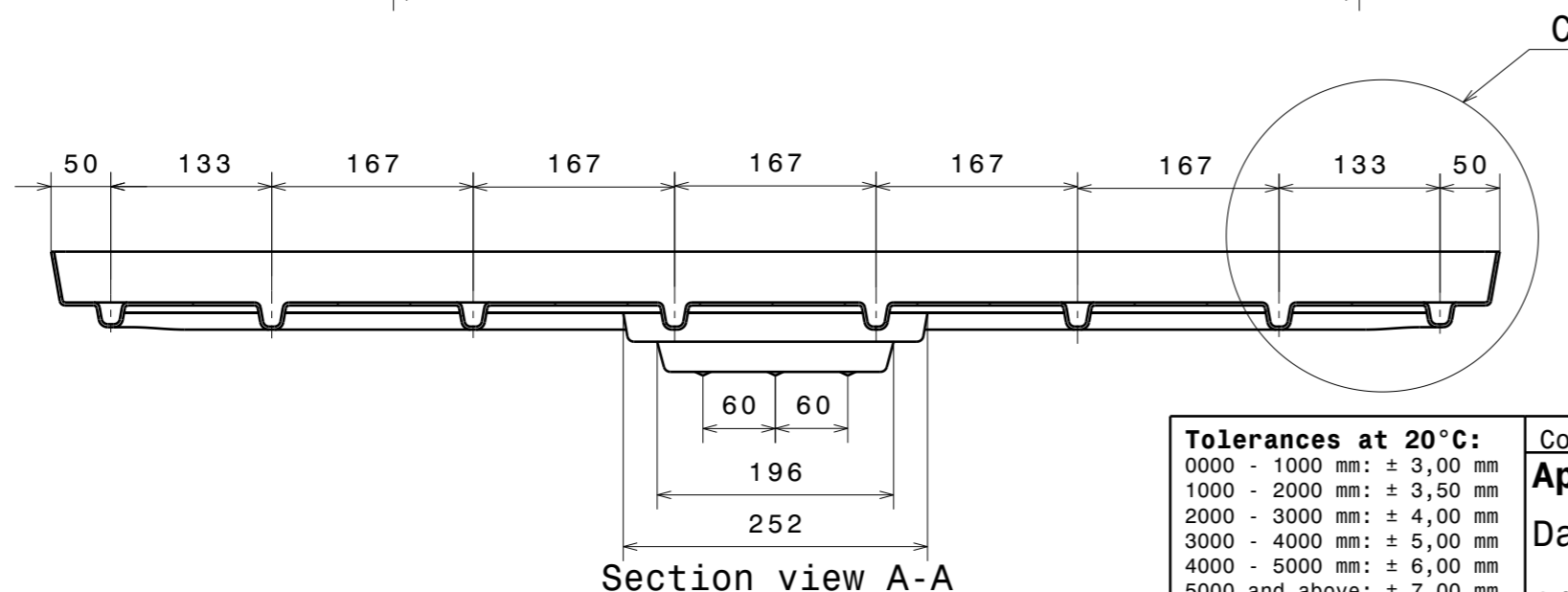
Section view D-D



Detail C




Detail E



Section view A-A

Tolerances at 20°C:
0000 - 1000 mm: ± 3,00 mm
1000 - 2000 mm: ± 3,50 mm
2000 - 3000 mm: ± 4,00 mm
3000 - 4000 mm: ± 5,00 mm
4000 - 5000 mm: ± 6,00 mm
5000 and above: ± 7,00 mm
<small>Coefficient of Thermal expansion: 0,10 mm/(m42K)</small>

Costumer:	Ref:	Date: 03.01.17	Order no:
Approved by costumer:		Material: HIPS	Color: Grey
Date: - -		UV-filter on toplayer: No	 Industrivej 16-18, DK-5750 Ringe Tel: +45 62621216 Fax +45 62623611 Web: www.staal-plast.dk E-mail: mail@staal-plast.dk
Sign:		Type: 1 (1200.08)	
		Size: 1200 x 1200	Scale: A3