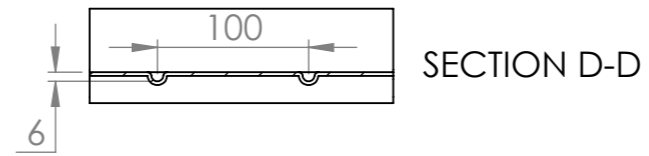
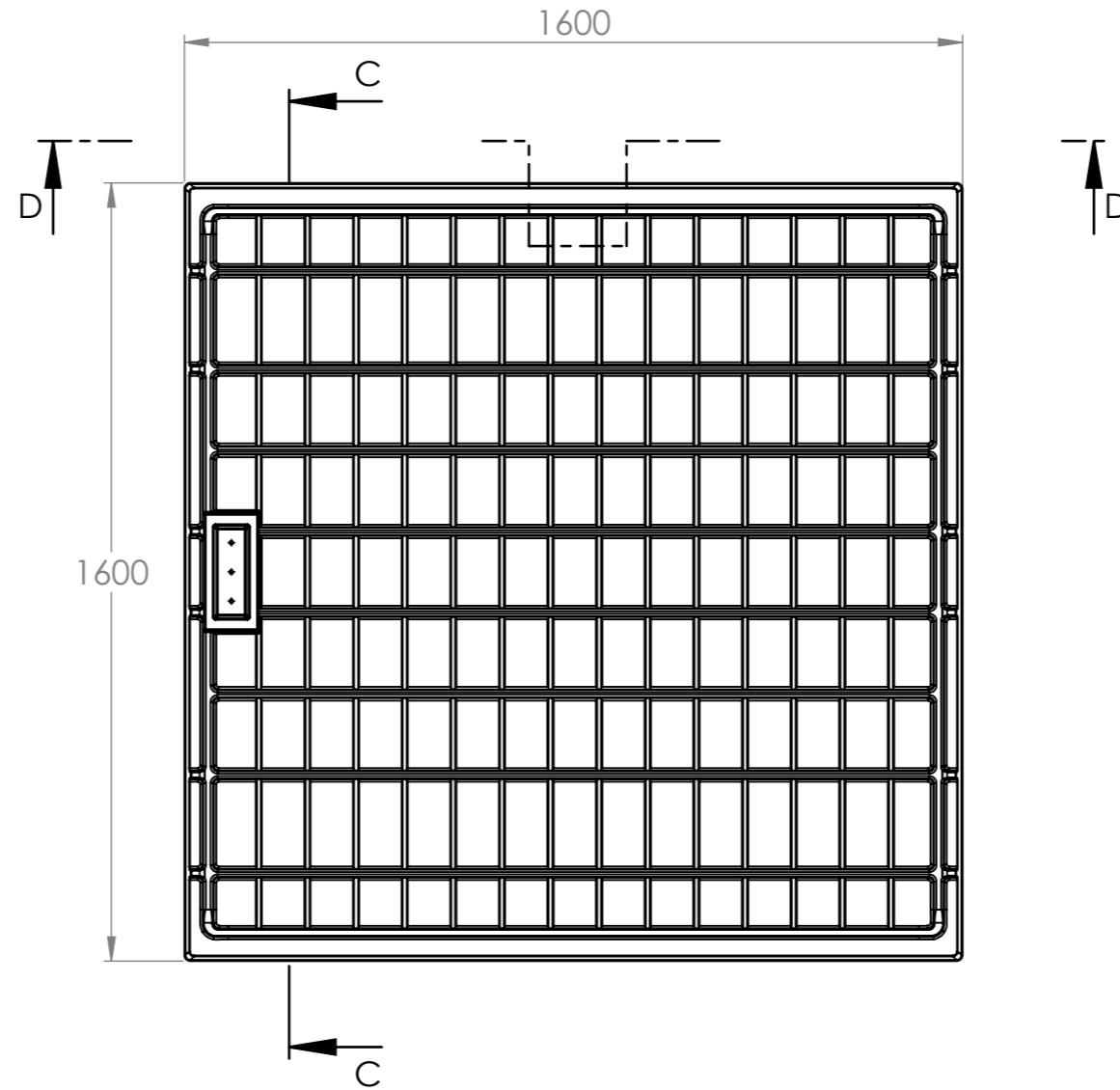


SECTION C-C

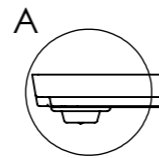


SECTION D-D

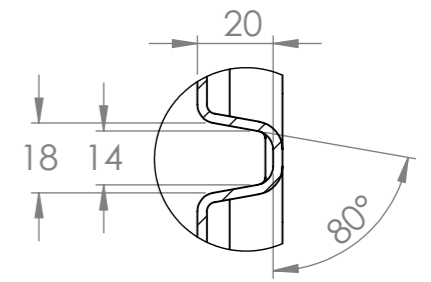


1600

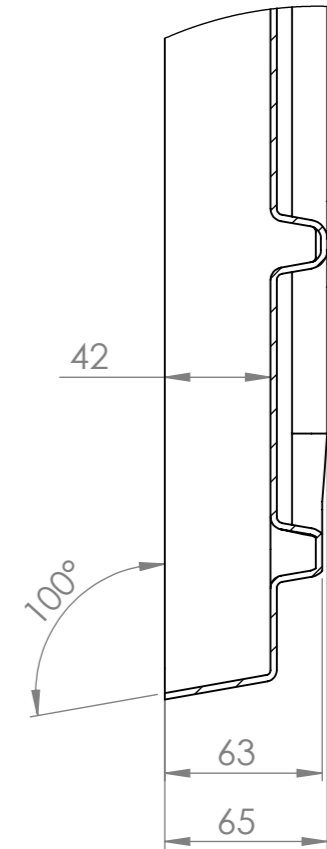
1600



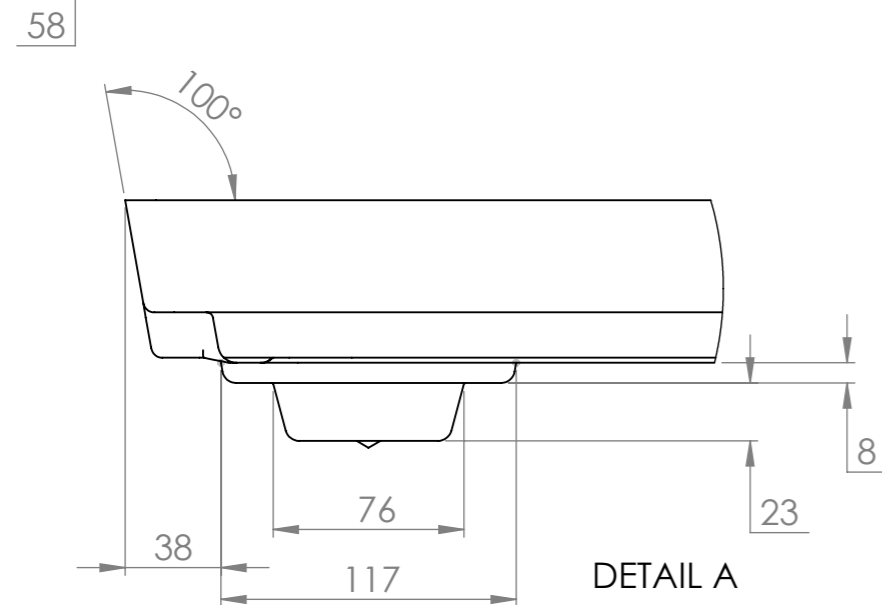
DETAIL A



DETAIL M



DETAIL F



<b>Tolerances at 20°C:</b>
0000 - 1000 mm: ± 3,00 mm
1000 - 2000 mm: ± 3,50 mm
2000 - 3000 mm: ± 4,00 mm
3000 - 4000 mm: ± 5,00 mm
4000 - 5000 mm: ± 6,00 mm
5000 and above: ± 7,00 mm
Coefficient of thermal expansion: 0,10 mm/(m•K)

<b>Customer:</b>	<b>Ref:</b>
<b>Approved by customer:</b>	<b>Date:</b> _____ - _____ -20____
<b>Sign:</b>	

<b>Date:</b> 23-02-2022	<b>Order no:</b>
Material: HIPS	Color: Grey
UV-filter on toplayer: No	
<b>Type: 1 - 1600.10</b>	
<b>Size: 1600 X 2500</b>	

<b>staalplast</b>
Industrivej 19, DK-5750 Ringe
Tel: +45 62621216
Web: www.staal-plast.dk
E-mail: mail@staal-plast.dk
<b>SCALE:</b>
<b>A3</b>