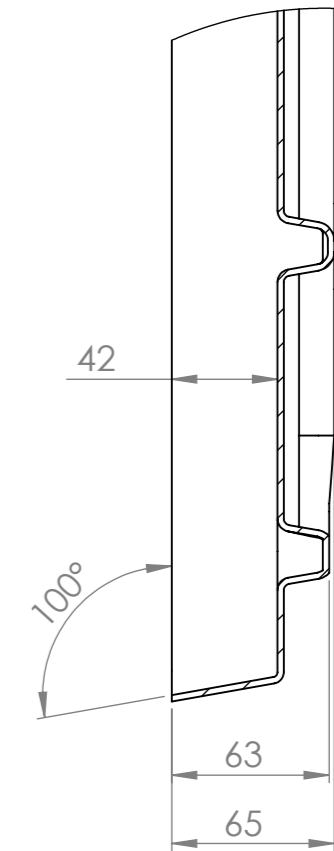
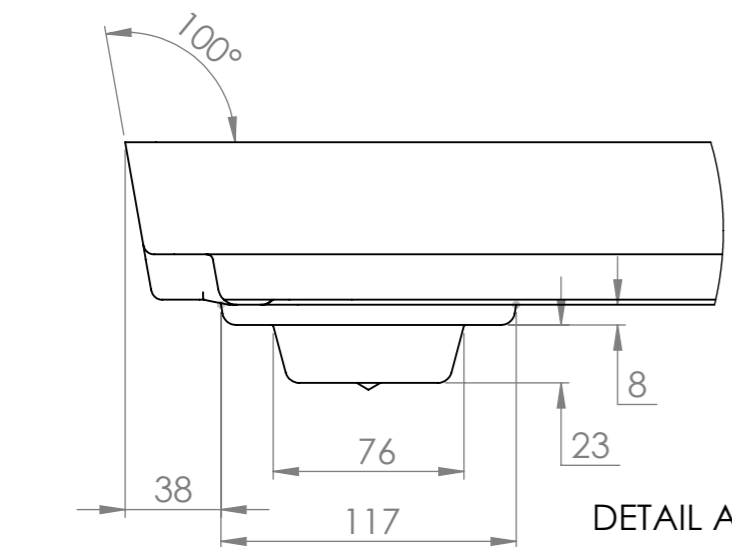


DETAIL M



DETAIL F



DETAIL A

SECTION C-C

SECTION D-D

**Tolerances at 20°C:**

0000 - 1000 mm:	± 3,00 mm
1000 - 2000 mm:	± 3,50 mm
2000 - 3000 mm:	± 4,00 mm
3000 - 4000 mm:	± 5,00 mm
4000 - 5000 mm:	± 6,00 mm
5000 and above:	± 7,00 mm

Coefficient of Thermal expansion: 0,10 mm/(m•K)

**Customer:** \_\_\_\_\_

**Approved by customer:** \_\_\_\_\_

**Date:** \_\_\_\_\_ - \_\_\_\_\_ -20\_\_\_\_\_

**Sign:** \_\_\_\_\_

**Ref:** \_\_\_\_\_

**Date:** 15-01-2021

**Order no:** \_\_\_\_\_

Material: HIPS Color: Grey

UV-filter on toplayer: No

**Type: 1 - 1600.10**

**Size: 1600 X 2500**

**staalplast**

Industrivej 19, DK-5750 Ringe  
 Tel: +45 62621216  
 Web: www.staal-plast.dk  
 E-mail: mail@staal-plast.dk