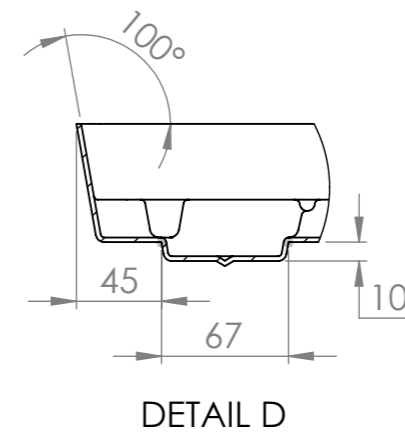
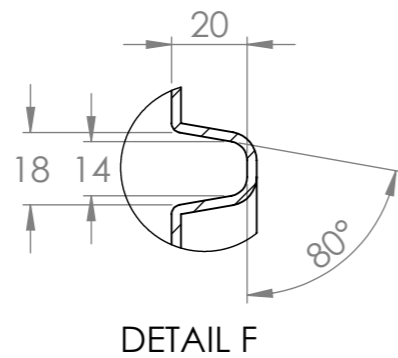
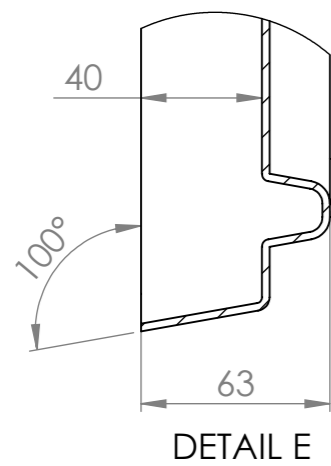



SECTION A-A



Tolerances at 20°C: 0000 - 1000 mm: ± 3,00 mm 1000 - 2000 mm: ± 3,50 mm 2000 - 3000 mm: ± 4,00 mm 3000 - 4000 mm: ± 5,00 mm 4000 - 5000 mm: ± 6,00 mm 5000 and above: ± 7,00 mm <small>Coefficient of thermal expansion: 0,10 mm/(m•K)</small>	Customer:	Ref:	Date: 23-02-2022	Order no:
	Approved by customer:		Material: HIPS	Color: Black/Grey
	Date: _____ - _____ -20____	UV-filter on toplayer: No		 <small>Industrivej 19, DK-5750 Ringe Tel: +45 62621216 Web: www.staal-plast.dk E-mail: mail@staal-plast.dk</small>
	Sign: _____	Type: 1 - 330/3	Size: 330 X 2040	
				A3