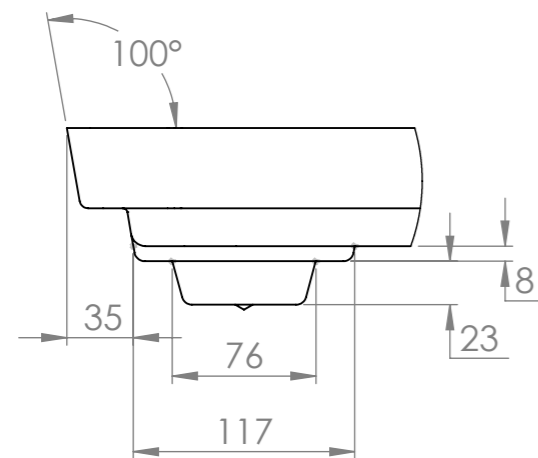
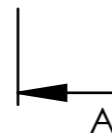
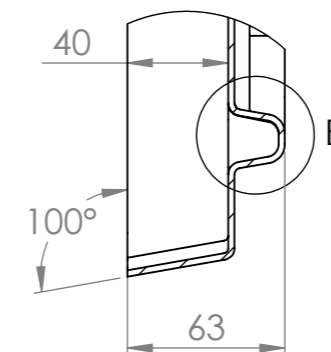


DETAIL B

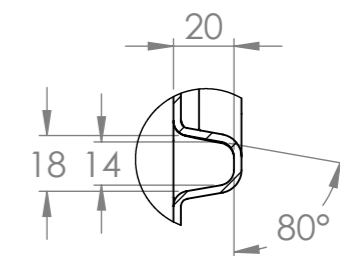
SECTION A-A



DETAIL C



DETAIL D



DETAIL E

<b>Tolerances at 20°C:</b>
0000 - 1000 mm: ± 3,00 mm
1000 - 2000 mm: ± 3,50 mm
2000 - 3000 mm: ± 4,00 mm
3000 - 4000 mm: ± 5,00 mm
4000 - 5000 mm: ± 6,00 mm
5000 and above: ± 7,00 mm
Coefficient of thermal expansion: 0,10 mm/(m•K)

<b>Customer:</b>	<b>Ref:</b>
<b>Approved by customer:</b>	
Date: _____ - _____ -20____	
Sign: _____	

<b>Date:</b> 25-02-2022	<b>Order no:</b>
Material: HIPS	Color: Grey
UV-filter on toplayer: No	
<b>Type: 1 - 800.5</b>	
<b>Size: 800 X 2040</b>	

<b>staalplast</b> Industrivej 19, DK-5750 Ringe Tel: +45 62621216 Web: www.staal-plast.dk E-mail: mail@staal-plast.dk	<b>SCALE:</b>	<b>A3</b>
---	---------------	-----------