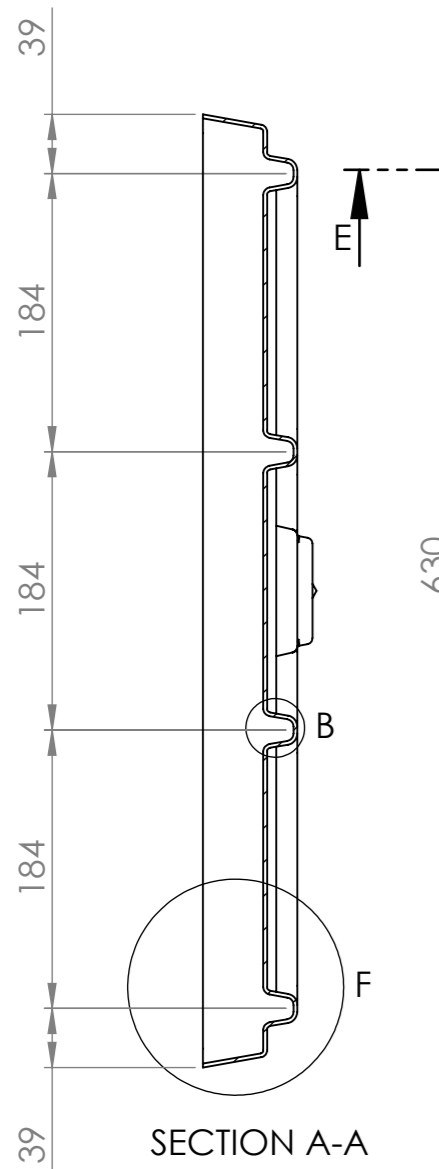


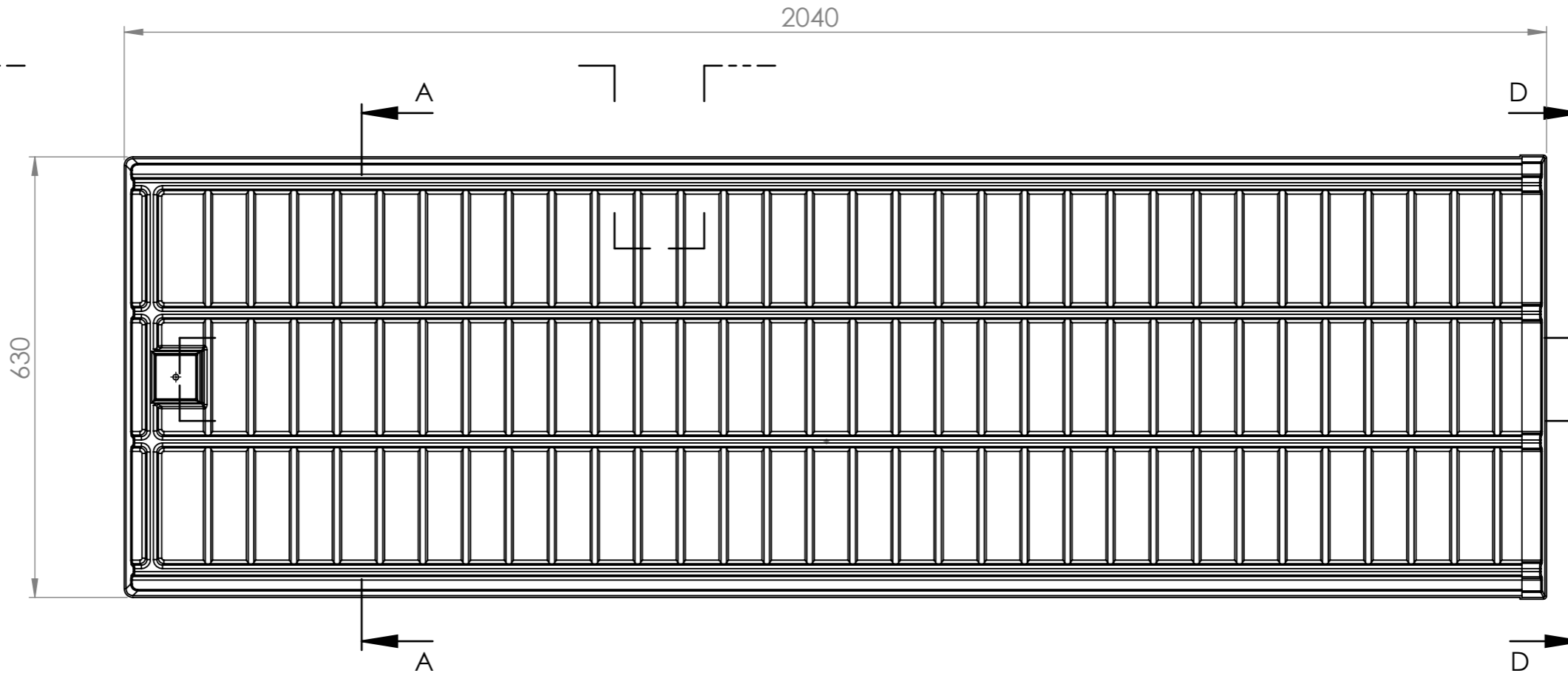
SECTION E-E



C

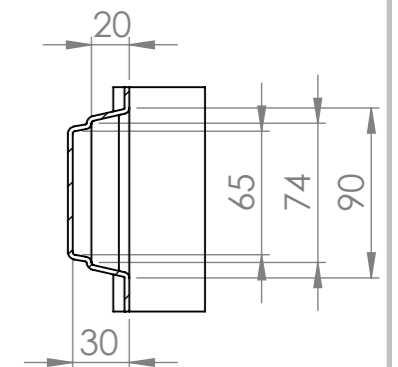


SECTION A-A

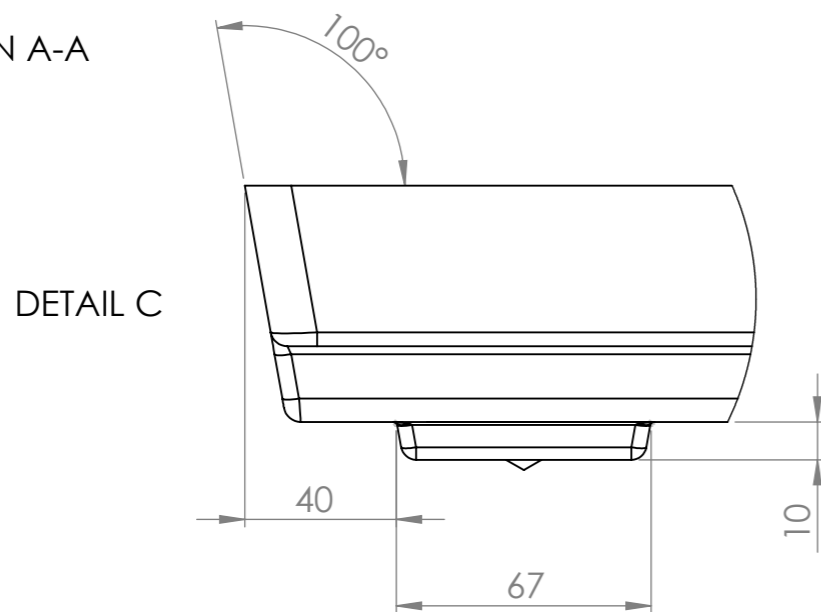


2040

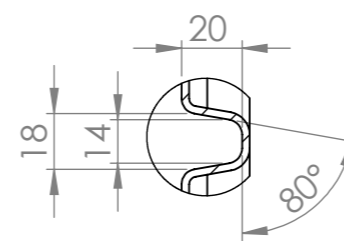
630



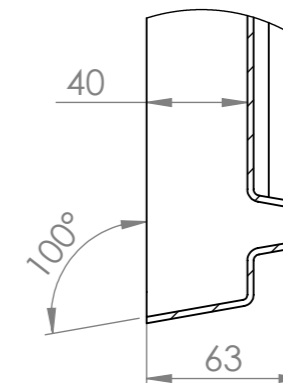
SECTION D-D



DETAIL C



DETAIL B



DETAIL F

Tolerances at 20°C:

- 0000 - 1000 mm: ± 3,00 mm
- 1000 - 2000 mm: ± 3,50 mm
- 2000 - 3000 mm: ± 4,00 mm
- 3000 - 4000 mm: ± 5,00 mm
- 4000 - 5000 mm: ± 6,00 mm
- 5000 and above: ± 7,00 mm

Coefficient of thermal expansion: 0,10 mm/(m·K)

Customer:

Approved by customer:

Date: _____ - _____ -20____

Sign: _____

Ref:

Date: 30-06-2021

Order no:

Material: HIPS Color: Grey

UV-filter on toplayer: No

Type: 1 - 630.4

Size: 630 x 2040



Industrivej 19, DK-5750 Ringe
Tel: +45 62621216
Web: www.staal-plast.dk
E-mail: mail@staal-plast.dk

SCALE:

A3