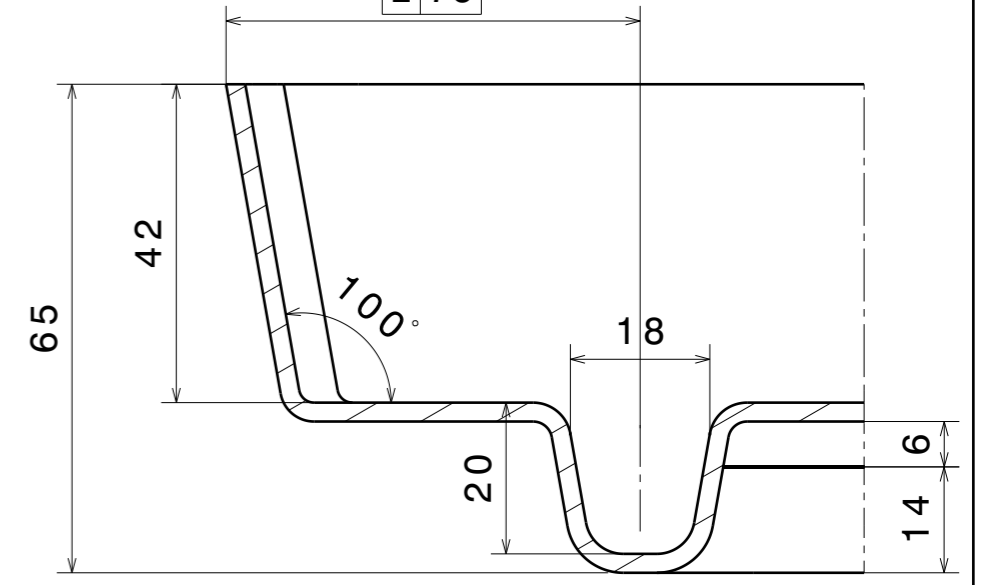
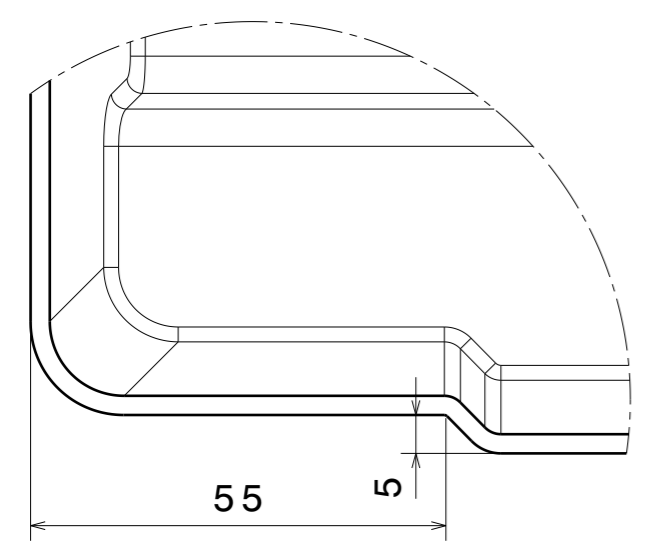


Detail D

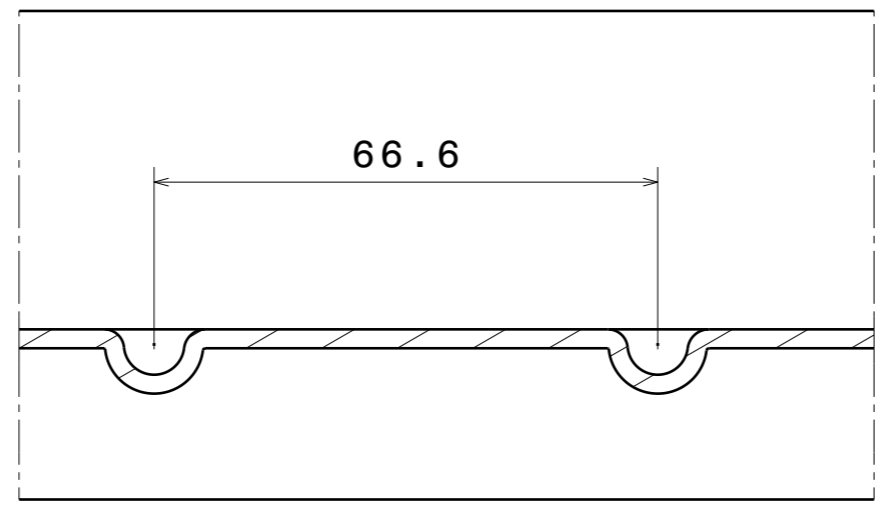
A	36
B	46
C	56
D	66
E	76




Section view B-B



Detail A



Section view C-C

Type 800/05 N		Drawn by: PJB
End-tray with sump		Date: 22.03.19
Tolerances at 20°C:		
0000 - 1000 mm: ± 3,00 mm		
1000 - 2000 mm: ± 4,00 mm		
		Industrivej 19 DK-5750 Ringe - Denmark Tel: +45 62621216 Web: www.staal-plast.dk E-mail: mail@staal-plast.dk